

Barudan

HIGH SPEED AUTOMATIC EMBROIDERY MACHINE

MODEL **BEMRH-YS**
BEMSH-YS
BEMXH-YS

PARTS LIST

BARUDAN CO., LTD.

ADDRESS 906 JOSUJI
ICHINOMIYA-CITY· AICHI-PREF·
JAPAN
TEL. <0586>76-1137
FAX. <0586>77-1499
TELEX 4573268 BARUNA J
CABLE BARUNA ICHINOMIYA

BEMRH-YS • BEMSH-YS
BEMXH-YS

HIGH SPEED AUTOMATIC EMBROIDERY
MACHINE PARTS LIST

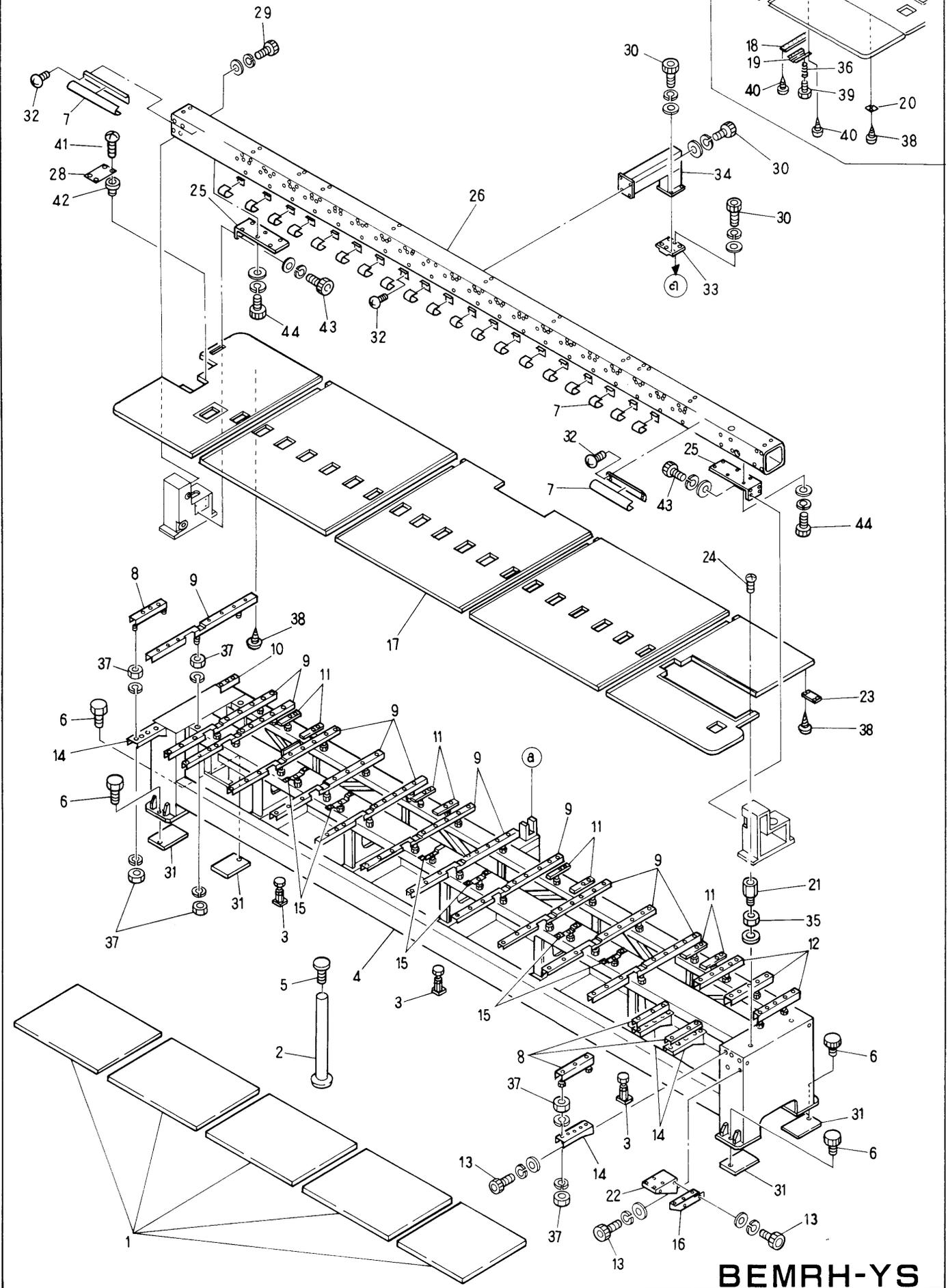
目 次

ITEM No.	Page No.
Machine layout (BEMRH-YS BEMSH-YS BEMXH-YS)	1
① Table • Frame	2
② Bed a' ssy	4
③ Encorder a' ssy	6
④ Take up lever a' ssy I	8
⑤ Take up lever a' ssy II	10
⑥ Needle bar mechanism I	12
⑦ Needle bar mechanism II	14
⑧ Jump a' ssy	16
⑨ Thread guide mechanism	18
⑩ Drive mechanism I	20
⑪ Drive mechanism II	22
⑫ Color change mechanism I	24
⑬ Color change mechanism II	26
⑭ Pantograph drive mechanism I (Pantograph • Guide cover)	28
⑮ Pantograph drive mechanism II (H-Direction • Front)	30
⑯ Pantograph drive mechanism III (H-Direction • Rear)	32
⑰ Pantograph drive mechanism IV (H-Direction • Drive)	34
⑱ Pantograph drive mechanism V (V-Direction • Guide rail base relation)	36
⑲ Pantograph drive mechanism VI (V-Direction • Drive)	38
⑳ Control system < BEMRH-YS >	40
⑳ Control system < BEMSH-YS >	42
⑳ Control system < BEMXH-YS >	44
㉑ Option	46
㉒ Thread cutting mechanism I (Thread cutting section)	48
㉓ Thread cutting mechanism II (Thread away section)	50
㉔ Thread cutting mechanism III (Thread support section)	52
㉕ Thread cutting mechanism IV (Drive section)	54
㉖ Thread guide mechanism (Lower thread sensorium)	56
INDEX	58

Please specify, in the following manner, your machine model, manufacturing number and embroidery space when you order us with the parts having ※ at the end of the part No.:

Barudan

① Table • Frame



From the library of: Diamond Needle Corp

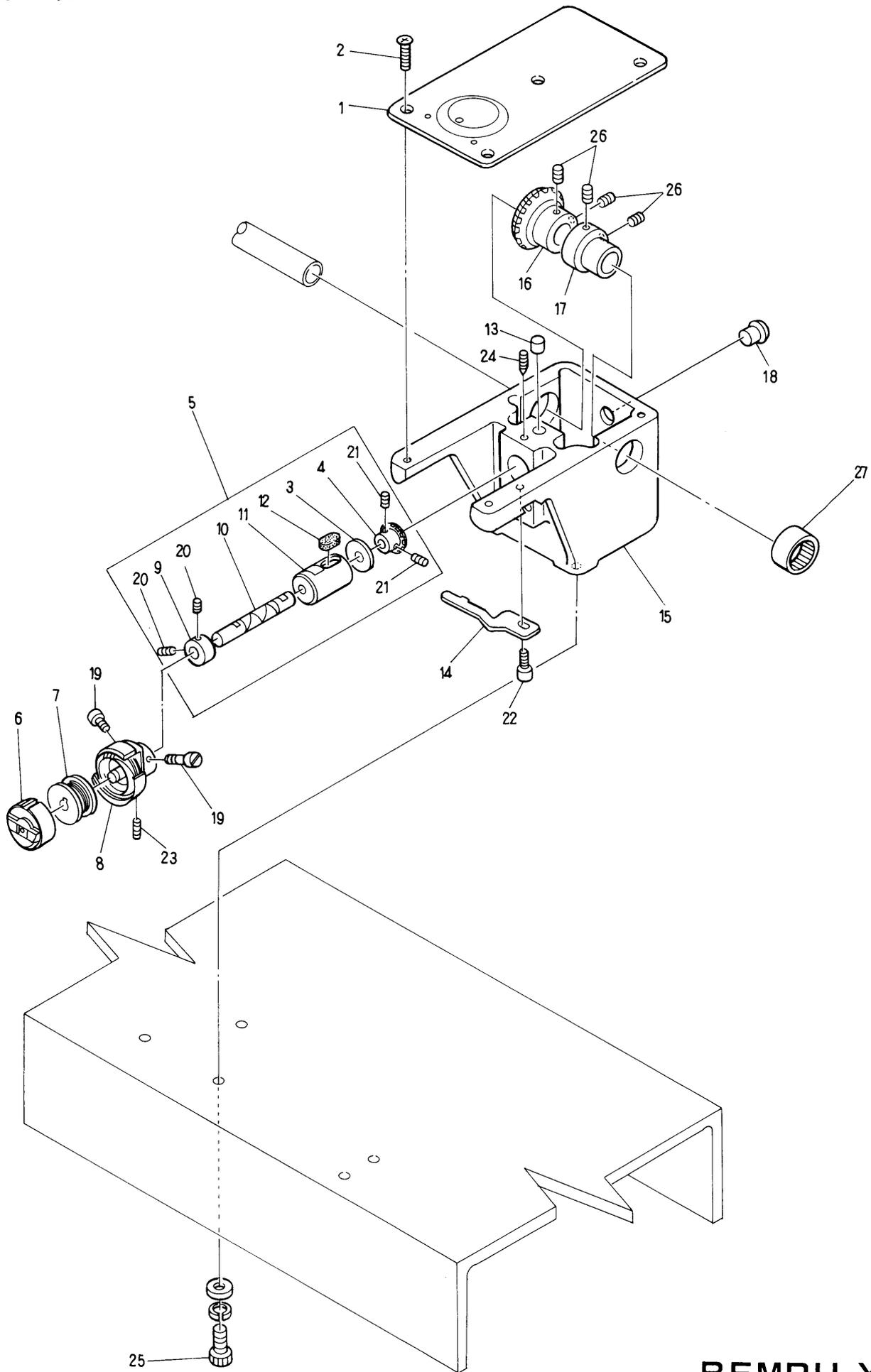
MODEL
BEMRH-YS
BEMSH-YS
BEMXH-YS

① Table • Frame

(※Change the LIST No. by machine type)

ITEM	LIST No.	DESCRIPTION	Q'TY	REMARK
1	1KHB2024053045G	Shelf board (MSH-YS-20 450×240/530)	1	※
2	WW140070	Table holder	5	
3	HP120020	M16 Mid jack bolt	6	
4	1AHB2024053045G	Frame (MSH-YS-20 450×240/530)	1	※
5	A9012213	Level adjuster (C-1275-A-4)	5	
6		Hex, bolt M20×65	4	
7	1SHB20240530J	Shaft cover YS-20 P=240/530	1	※
8	HP140111	Table support (310L)	4	
9	HP141450	Table support (1160L) With notch	12	※
10	HH140260	Table support (215L)	1	※
11	HP140841	Table support (215L)	8	
12	HP140490	Table support (480L)	3	※
13		Hex, bolt M8×20		
14	HP140120	Table support bracket (TDH)	4	
15	HP141080	Table support (230L)	6	
16	HP14013045	Table support (R) Front (360L) (TDH)	1	※
17	1BHB2024053045G	Table (MSH-YS-20 450×240/530)	1	※
18	HP14010085	Table support (for H stroke 850)	1	※
19	HP140090	Table support		
20	HP141090	Morable table support		
21	HP140170	Table support bolt	1	
22	HP512320	Controller fixing stay	1	
23	KC140121	Table reinforcement plate	1	
24		Truss screw M6×35		
25	HP130021	Bridge support	2	
26	1EHB20240530N	Bridge (MSH-YS-20 P=240/530)	1	※
27		Hex, socket bolt M6×15		
28	HP321110	Lower shaft connecting cupling cover	1	
29		Hex, socket bolt M12×40		
30		Hex, socket bolt M8×25		
31	HP120030	Base plate (200×200×t1)	5	
32		Truss screw M5×10		
33	HB130040	Bridge support base (Center)	1	
34	HB13001145	Bridge support (Center) H-Stroke 450	1	※
35		Hex, nut M8		
36	HH140940	Spring		
37		Hex, nut 3/8		
38		Pias biss 5×23		
39		Hex, bolt M8×25		
40		Wood screw 5.1×25		
41		Truss screw M4×8 (Undercut)		
42		Nut (C) M4		
43		Hex, socket bolt M10×40		
44		Hex, socket bolt M10×30		

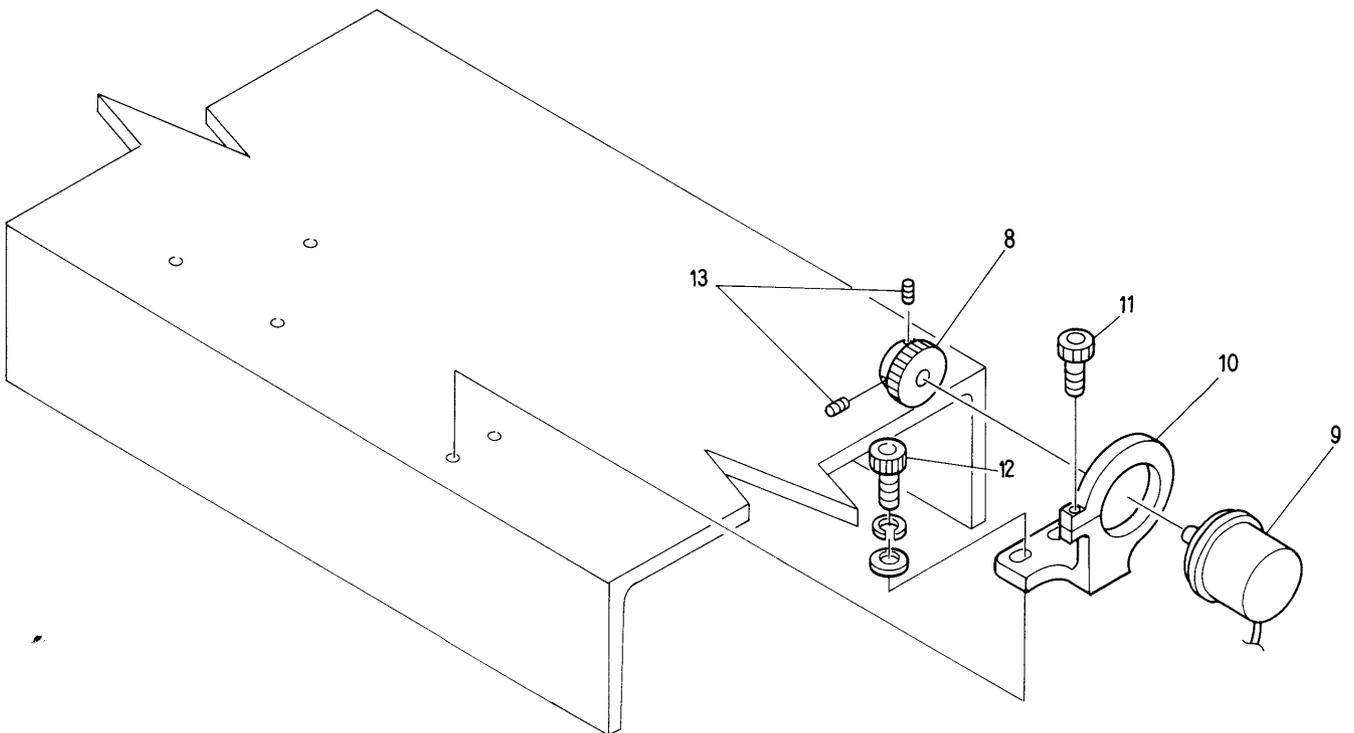
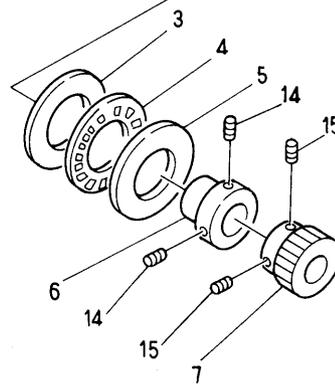
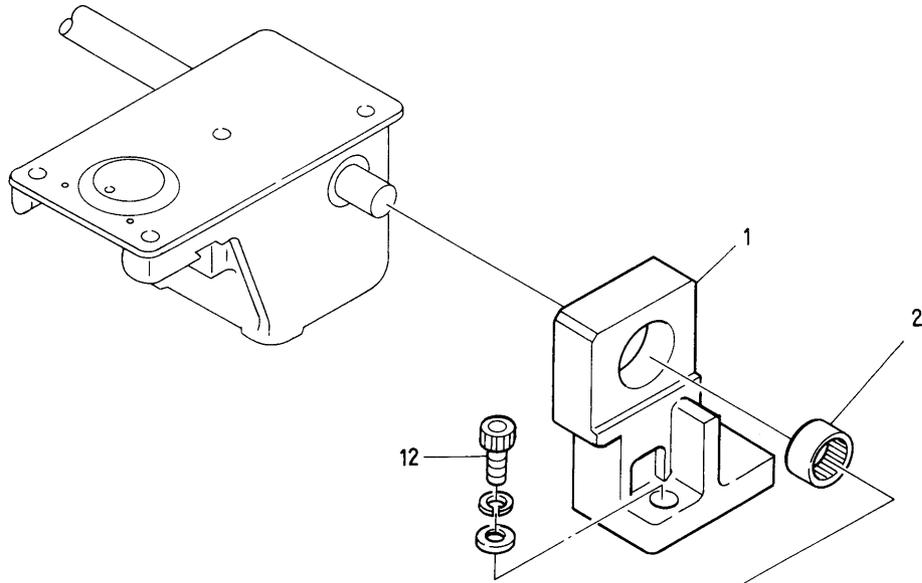
From the library of: Diamond Needle Corp



From the library of: Diamond Needle Corp

MODEL

BEMRH-YS
BEMSH-YS
BEMXH-YS

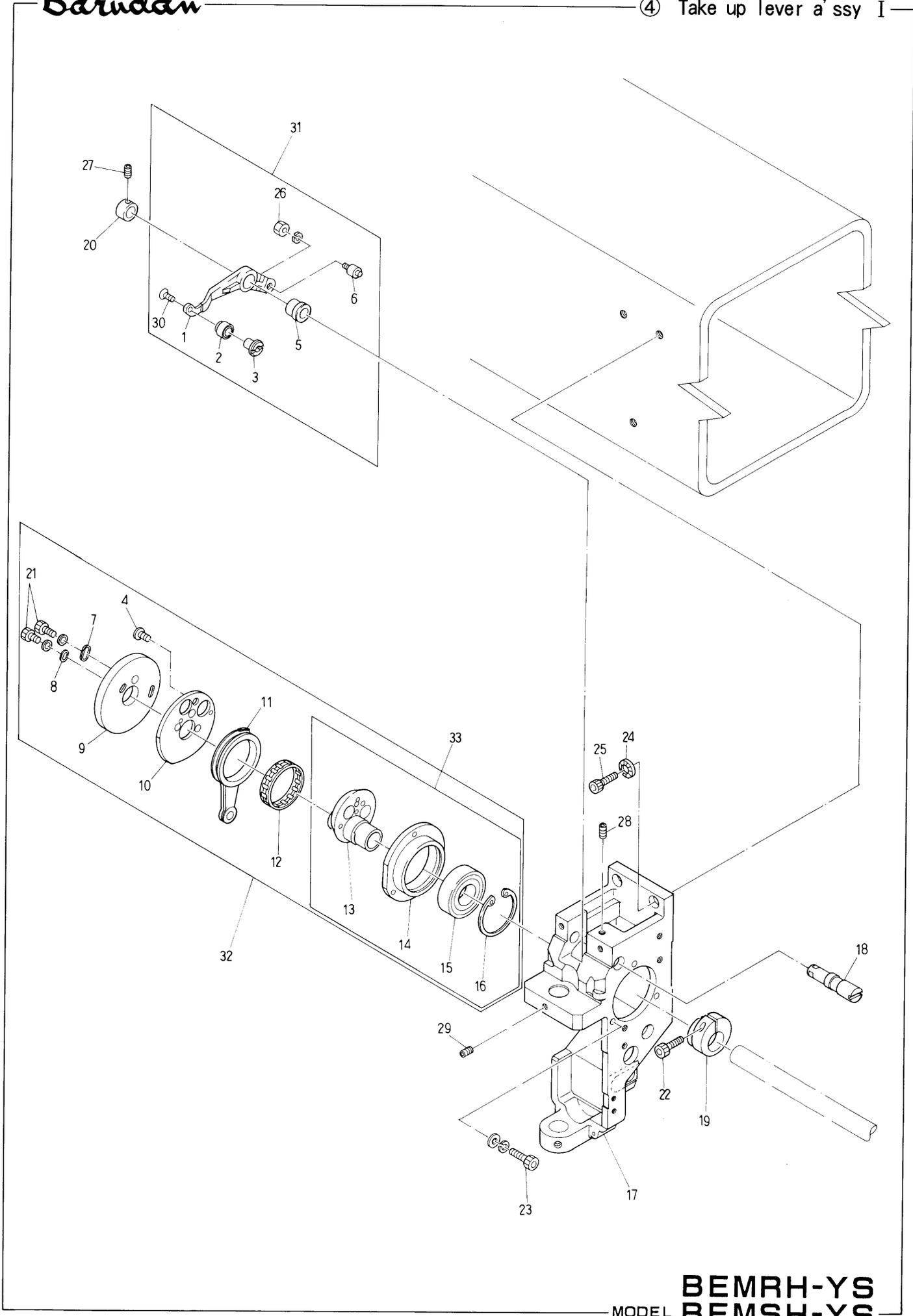


MODEL

BEMRH-YS
BEMSH-YS
BEMXH-YS

Barudan

④ Take up lever a'ssy I

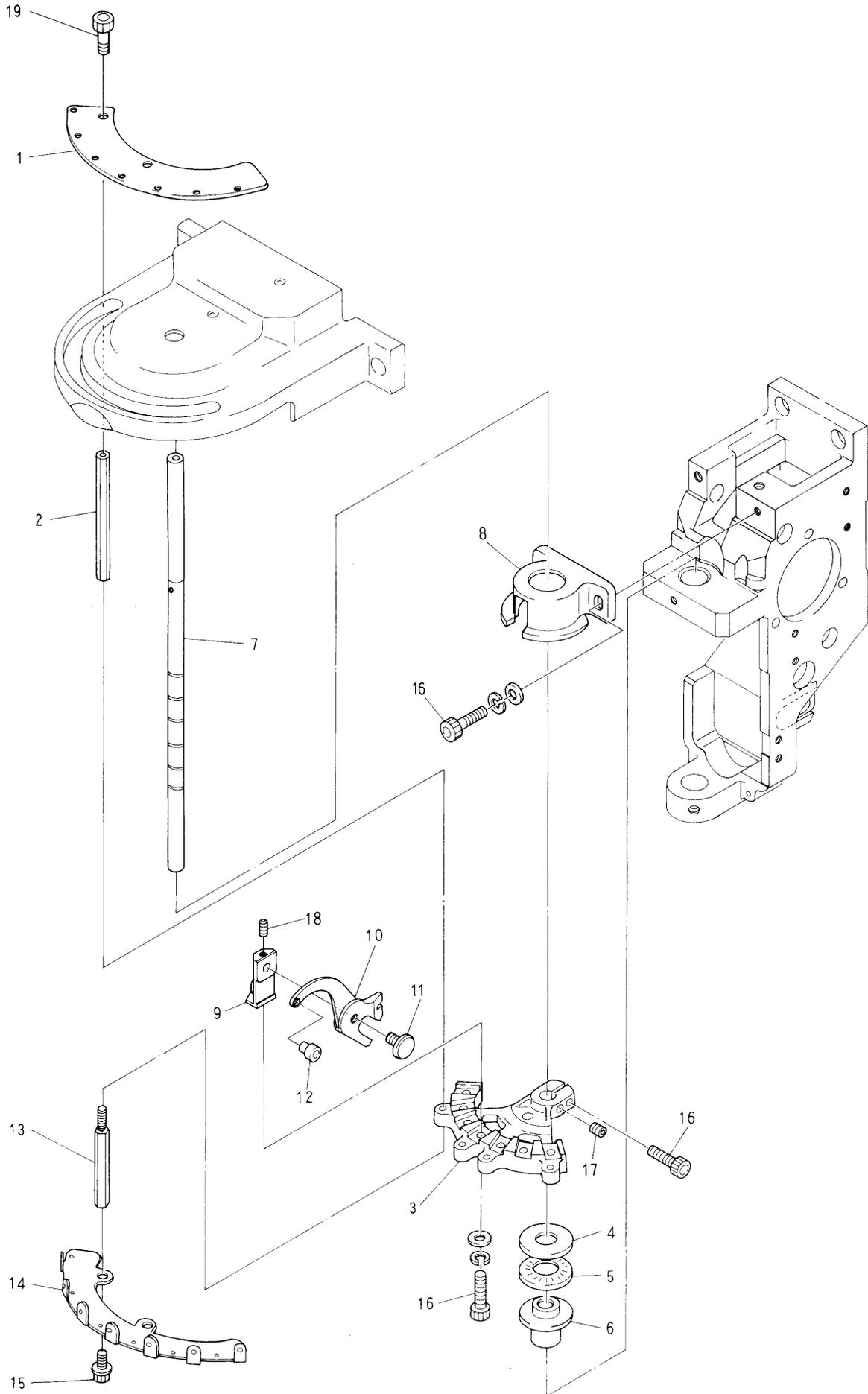


From the library of: Diamond Needle Corp

BEMRH-YS
BEMSH-YS
BEMXH-YS

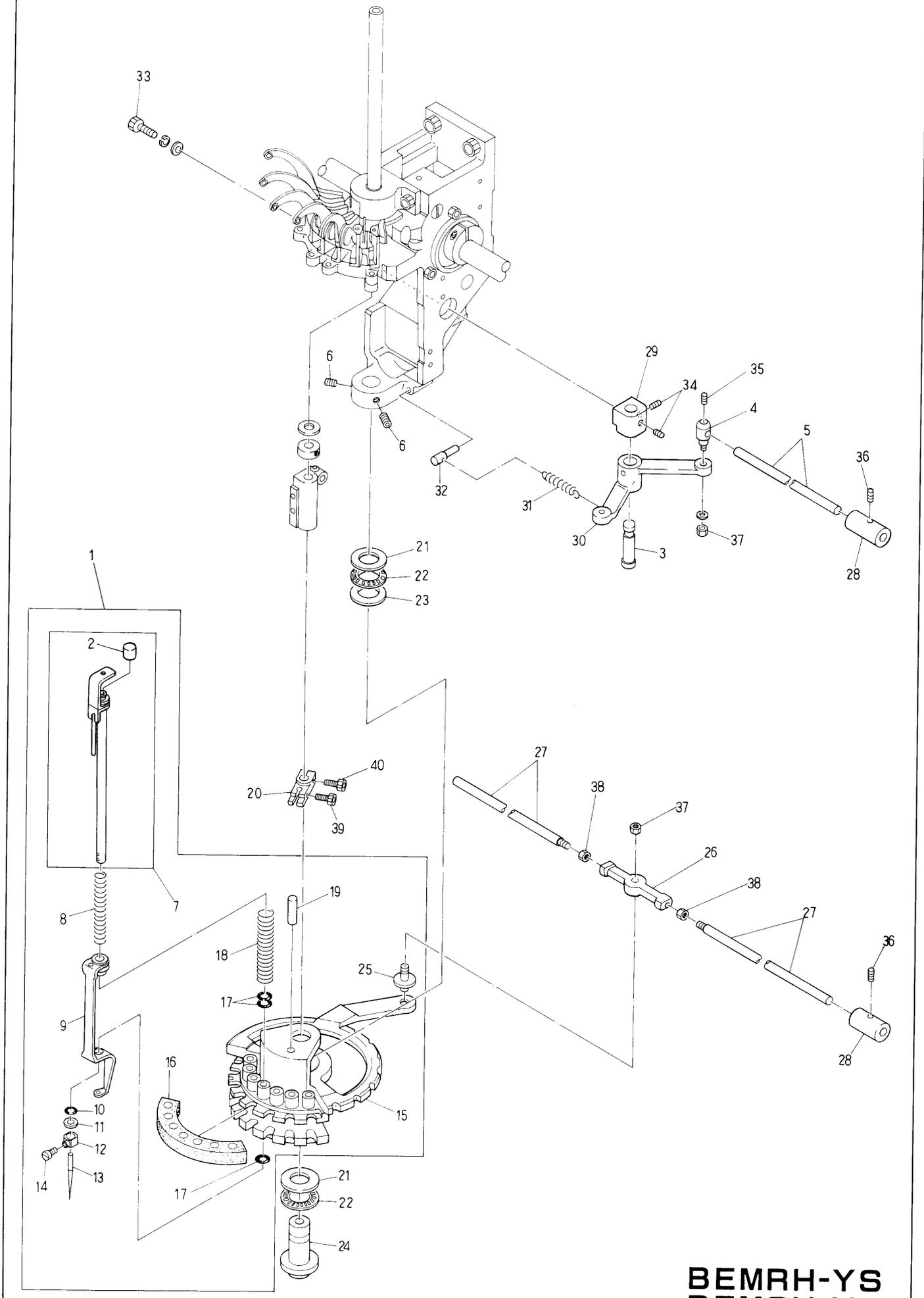
Barudan

⑤ Take up lever a'ssy II



From the library of: Diamond Needle Corp

MODEL
BEMRH-YS
BEMSH-YS
BEMXH-YS



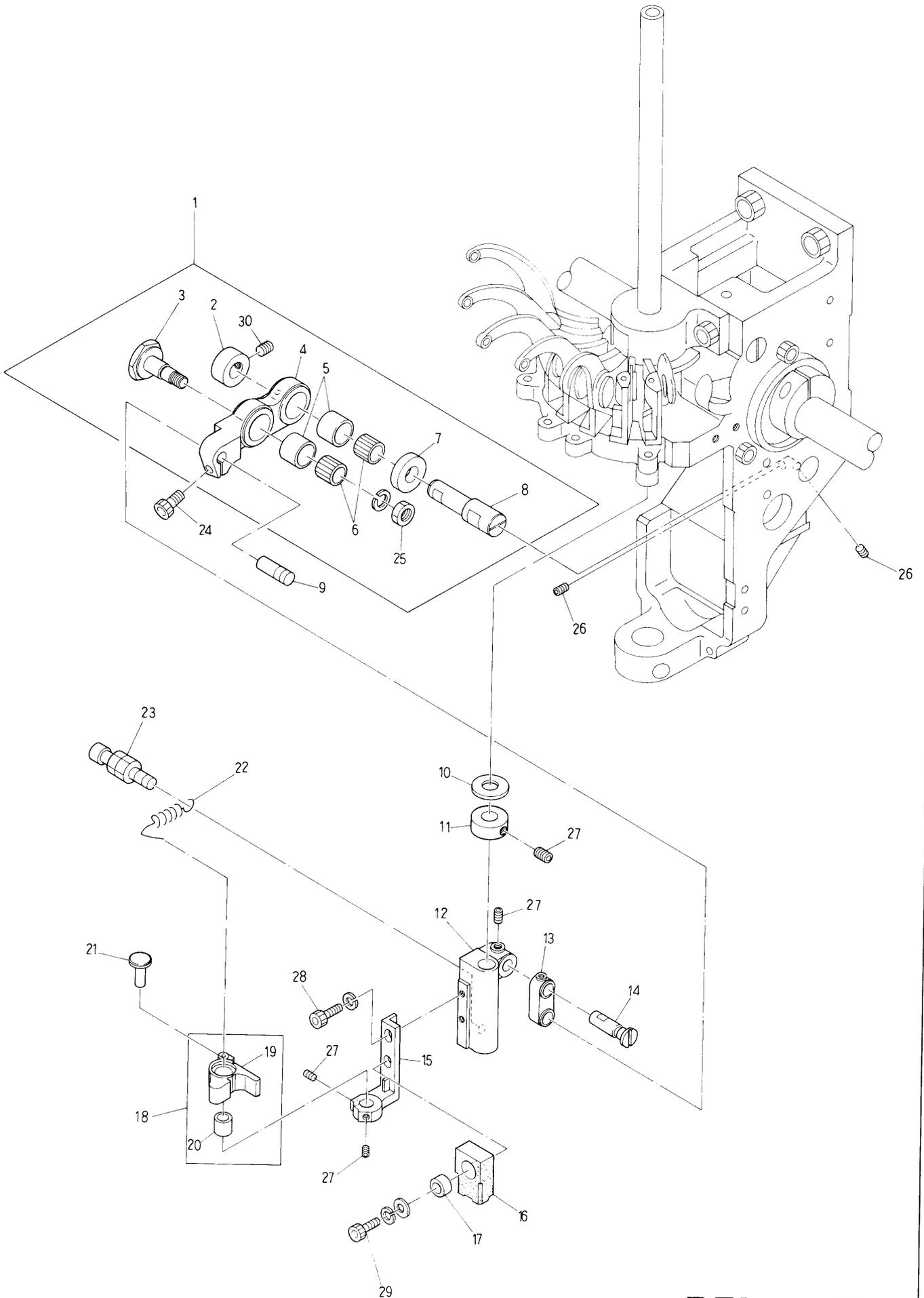
From the library of: Diamond Needle Corp

⑥ Needle bar mechanism I

(H=Head Q'TY)

ITEM	LIST No.	DESCRIPTION	Q'TY	REMARK
1	HB230601	Turret plate a'ssy (YS)	H×1	YS
	HB230611	Turret plate a'ssy (YF)	H×1	YF
2	KN231350	Needle bar cap		YS...H×7, YF...H×5
3	HB230190	Lock lever shaft	H×1	
4	KF230640	Lock connecting bar clamp	H×1	
5	KC330410	Lock connecting rod L=2000	3	
6	A9012053	Hex, socket set screw M6×0.7×8	H×2	
7	HB230502	Needle bar a'ssy		YS...H×7, YF...H×5
8	HB230542	Needle bar spring (Upper)		YS...H×7, YF...H×5
9	KG230020	Pressure foot		YS...H×7, YF...H×5
10	KF230920	O-Ring (Large)		YS...H×7, YF...H×5
11	KF230930	Washer		YS...H×7, YF...H×5
12	KF230230	Needle clamp		YS...H×7, YF...H×5
13	KF230250	Needle (DBK5-11)		YS...H×7, YF...H×5
14	KF230240	Needle clamp screw (SM9/64)		YS...H×7, YF...H×5
15	HB230431	Turret plate (US)	H×1	YS
	HB230441	Turret plate (UF)	H×1	YF
16	KL230111	Turret plate oil pad	H×1	
17	KF230910	O-Ring (Small)		YS...H×21, YF...H×15
18	HB230720	Needle bar spring (Lower)		YS...H×7, YF...H×5
19	A9012291	Parallel pin φ5H7×14L	H×1	
20	HB230170	Driving shaft fixing plate	H×1	
21	A9011023	Thrust bearing outer (GS1528)	H×2	
22	A9011021	Thrust bearing (NTB-1528)	H×2	
23	A9011022	Thrust washer (AS-1528)	H×1	
24	HB230140	Driving shaft lower metal	H×1	
25	HB230550	Turret plate joint pin	H×1	
26	A9012003	Uniball joint (RD4-020L)	1	Final head
	A9012005	Uniball joint (RD4-020N)	H×1-1	
27	KC330310520	Turret plate connecting rod L=470	H-1	
28	KF330381	Lock bar hand grip	2	
29	HB230180	Lock lever bracket	H×1	
30	KL230280	Lock lever (With roller)	H×1	
31	KF230661	Lock lever spring	H×1	
32	KF230670	Lock lever spring pin	H×1	
33		Hex, socket bolt M8×18		
34		Hex, socket set screw M6×5		
35		Hex, socket set screw M4×6		
36		Hex, socket set screw M5×5		
37		Hex, nut M4 (II)		
38		Hex, nut M5		
39		Hex, socket bolt M3×12 (With adhesion)		
40		Hex, socket bolt M4×12 (With adhesion)		

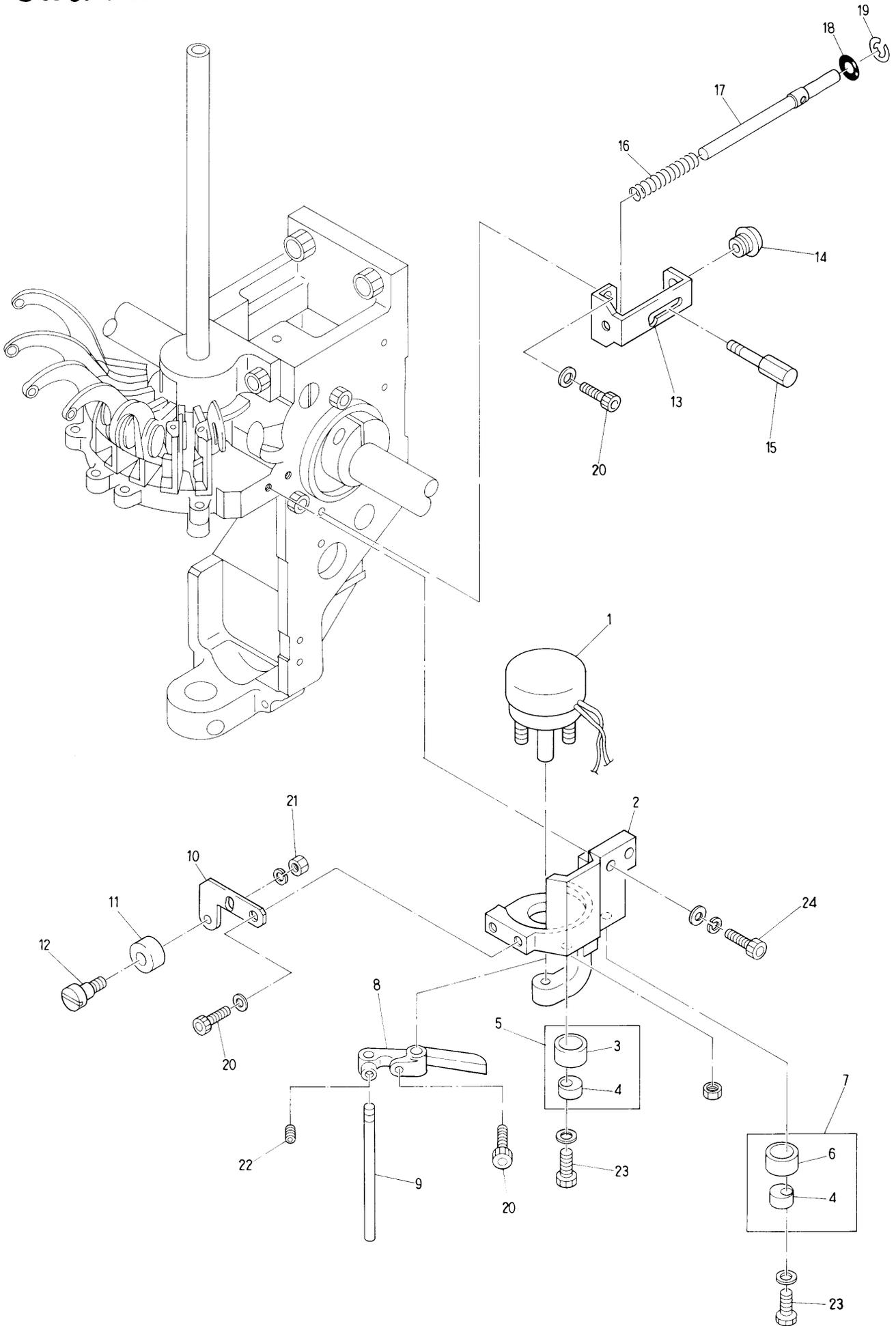
From the library of: Diamond Needle Corp



From the library of: Diamond Needle Corp

Barudan

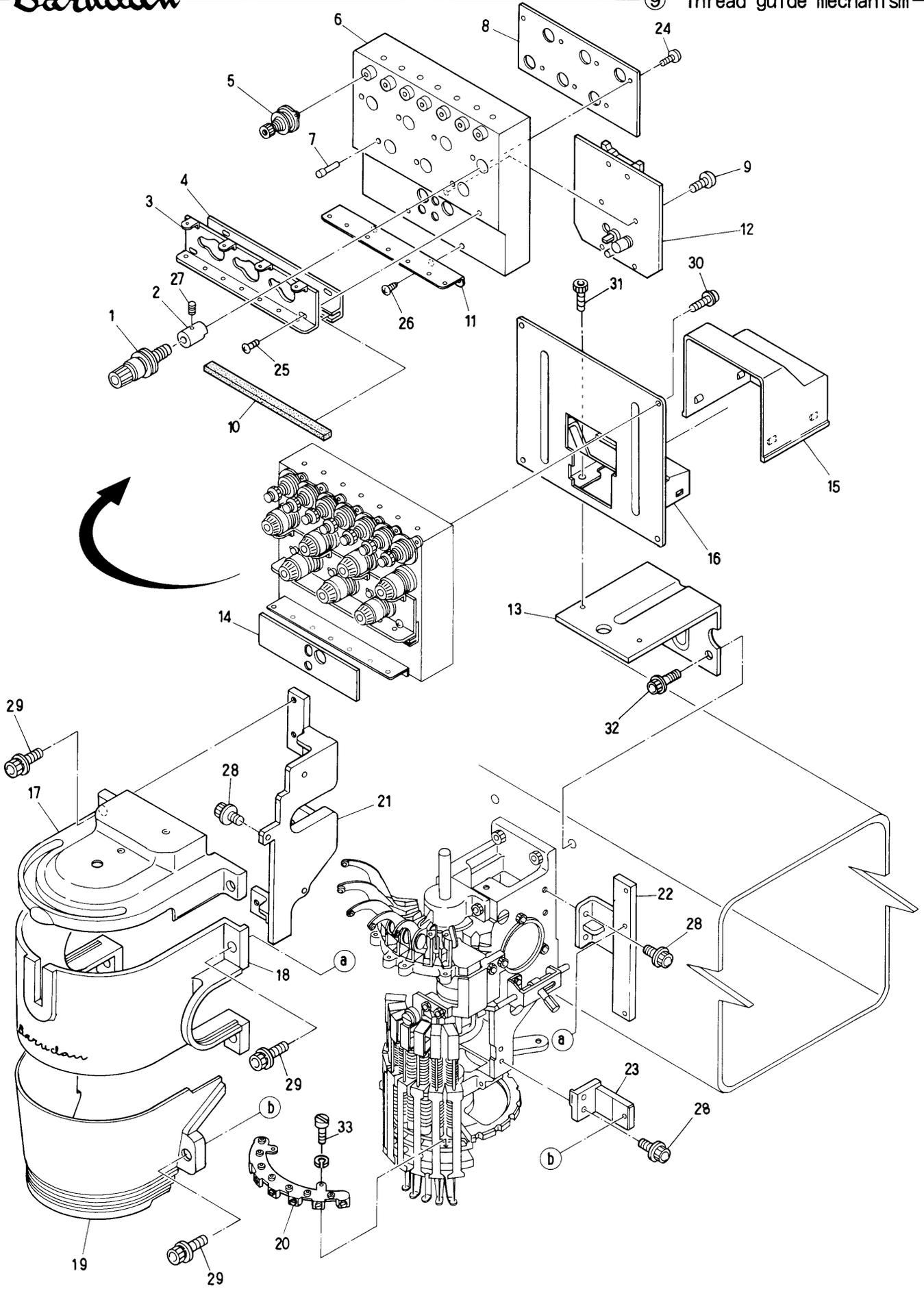
⑧ Jump a' ssy



From the library of: Diamond Needle Corp

Barudan

⑨ Thread guide mechanism



From the library of: Diamond Needle Corp

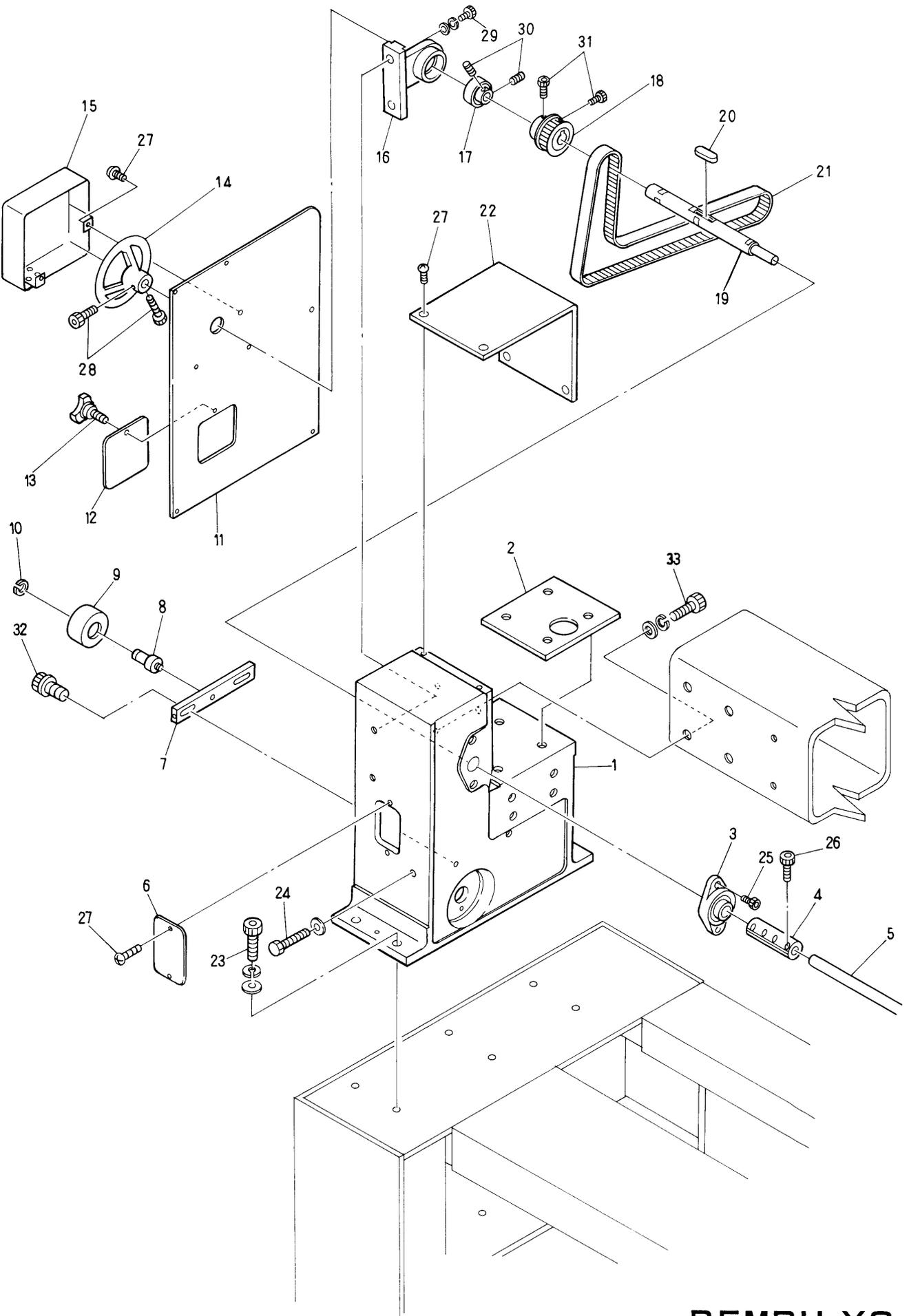
MODEL
BEMRH-YS
BEMSH-YS
BEMXH-YS

⑨ Thread guide mechanism

(H=Head Q' TY)

ITEM	LIST No.	DESCRIPTION	Q'TY	REMARK
1	HP 2 4 1 4 1 0	Dial type tension unit complete		YS...H×7, YF...H×5
2	HP 2 4 1 1 5 0	Tension base (With screw)		
3	HP 2 4 1 1 8 0	First thread guide (7)	H×1	YS
	HP 2 4 1 1 7 0	First thread guide (5)	H×1	YF
4	HP 2 4 1 4 6 0	Thread guide felt fixing plate (7)	H×1	YS
	HP 2 4 1 4 5 0	Thread guide felt fixing plate (5)	H×1	YF
5	HP 2 4 1 4 4 0	Upper tension complete (D=13.5)		YS...H×7, YF...H×5
6	HP 2 4 1 1 2 2	Tension base (7)	H×1	HP241160 HP241150 YS
	HP 2 4 1 1 1 2	Tension base (5)	H×1	HP241160 HP241150 YF
7	HP 2 4 1 1 6 0	Upper thread detection pin		YS...H×7, YF...H×5
8	HP 2 4 1 3 8 1	Tension earth plate (7)	H×1	YS
	HP 2 4 1 3 7 1	Tension earth plate (5)	H×1	YF
9		Tapping screw 2×8		
10	HP 2 4 1 4 8 0	Thread guide felt (7)	H×1	YS
	HP 2 4 1 4 7 0	Thread guide felt (5)	H×1	YF
11	HB 2 4 0 2 6 0	Second thread guide plate (7)	H×1	YS
	HB 2 4 0 2 7 0	Second thread guide plate (5)	H×1	YF
12	EBY 0 1 0 7 0	4 6 1 3 Head board	H×1	
13	HB 2 4 0 3 0 0	Tension base bracket	H×1	
14	KU 2 4 1 4 0 0	Tension base label	H×1	
15	KB 2 4 0 1 0 0	Tension cable cover	H×1	
16	KB 2 4 0 0 6 0	Tension base (7)	H×1	YS
	KB 2 4 0 0 7 0	Tension base (5)	H×1	YF
17	HB 2 4 0 2 0 0	Sewing head cover (A)	H×1	
18	HB 2 4 0 2 1 0	Sewing head cover (B)	H×1	
19	HB 2 4 0 2 2 0	Sewing head cover (C)	H×1	
20	KG 2 5 0 0 1 0	Thread end trap unit a'ssy (7)	H×1	YS
	HP 2 5 0 0 5 0	Thread end trap unit a'ssy (5)	H×1	YF
21	HB 2 4 0 2 3 1	Sewing head fixing bracket (A)	H×1	
22	HB 2 4 0 2 4 1	Sewing head fixing bracket (B)	H×1	
23	HB 2 4 0 2 5 0	Sewing head fixing bracket (C)	H×1	
24		Pan screw M3×4		
25		Truss screw M4×6		
26		Tapping screw M3.5×8		
27		Set screw (SM11/64 40×5.5)		
28		Hex, socket flange bolt M4×12		
29		Hex, socket bolt M4×6 (With washer)		
30		Pan screw M4×8 (With washer)		
31		Hex, socket bolt M5×10		
32		Hex, socket flange bolt M6×20		
33		Screw (SM9/64 40×10)		

From the library of: Diamond Needle Corp

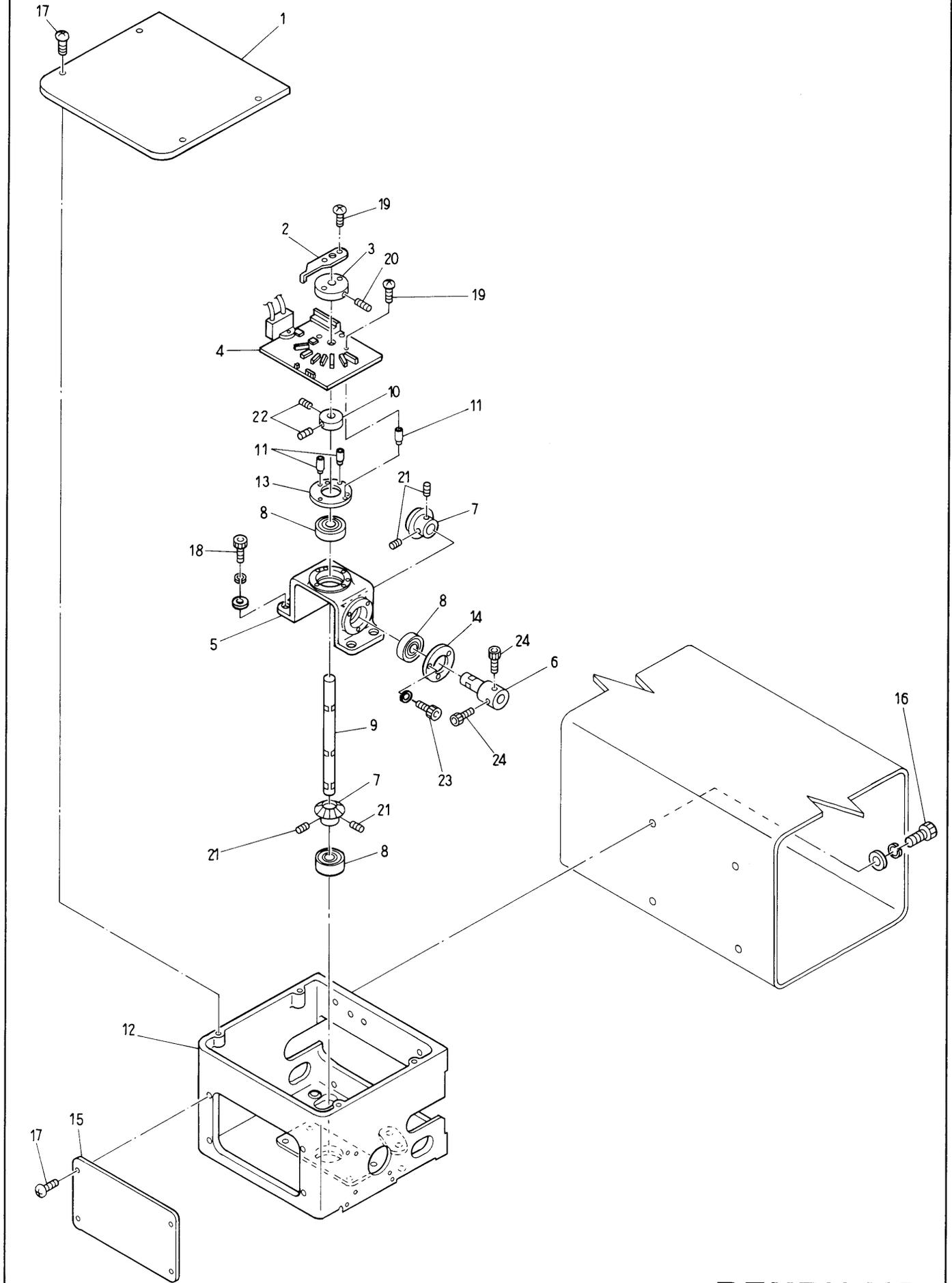


From the library of: Diamond Needle Corp

MODEL
BEMRH-YS
BEMSH-YS
BEMXH-YS

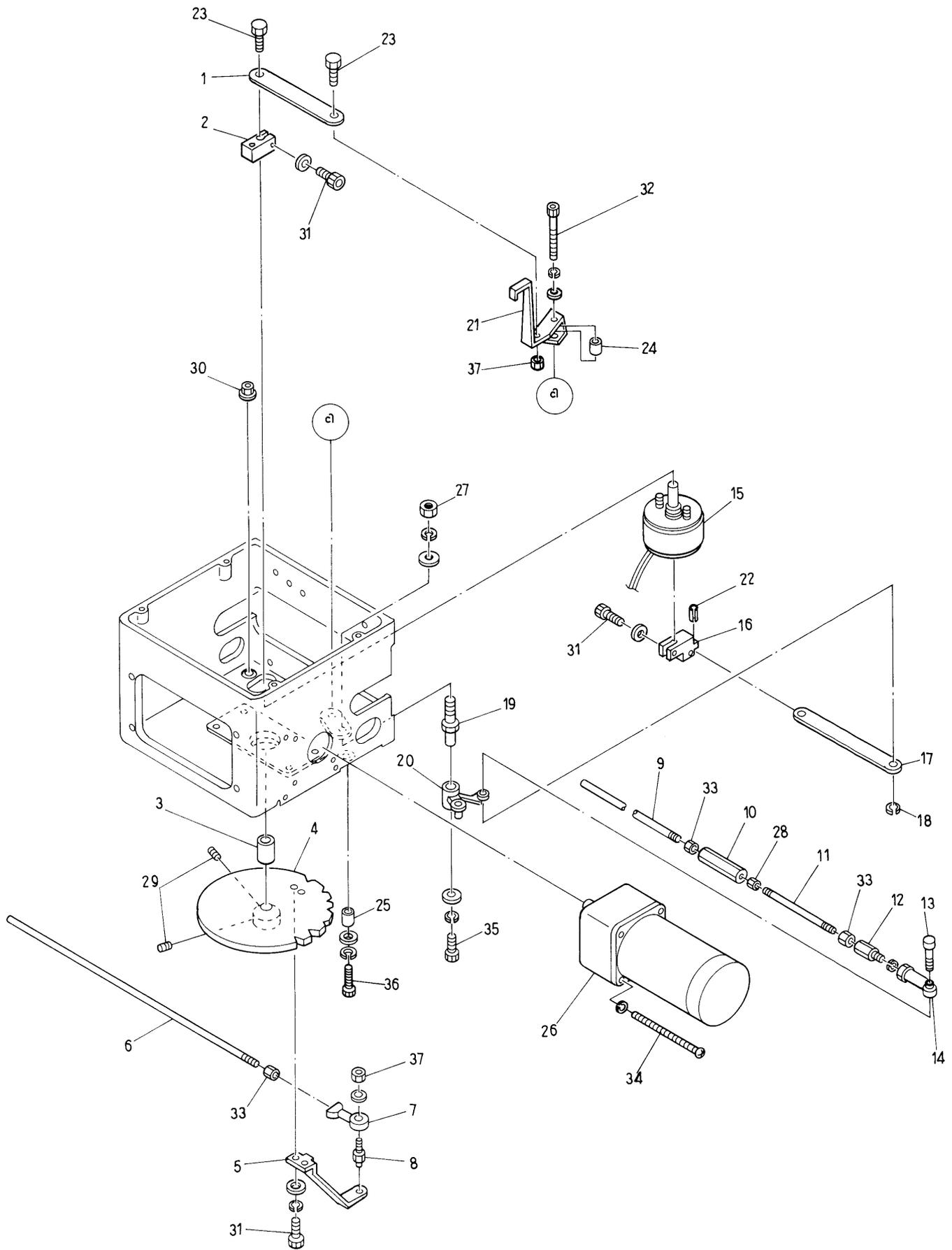
Barudan

⑫ Color change mechanism I



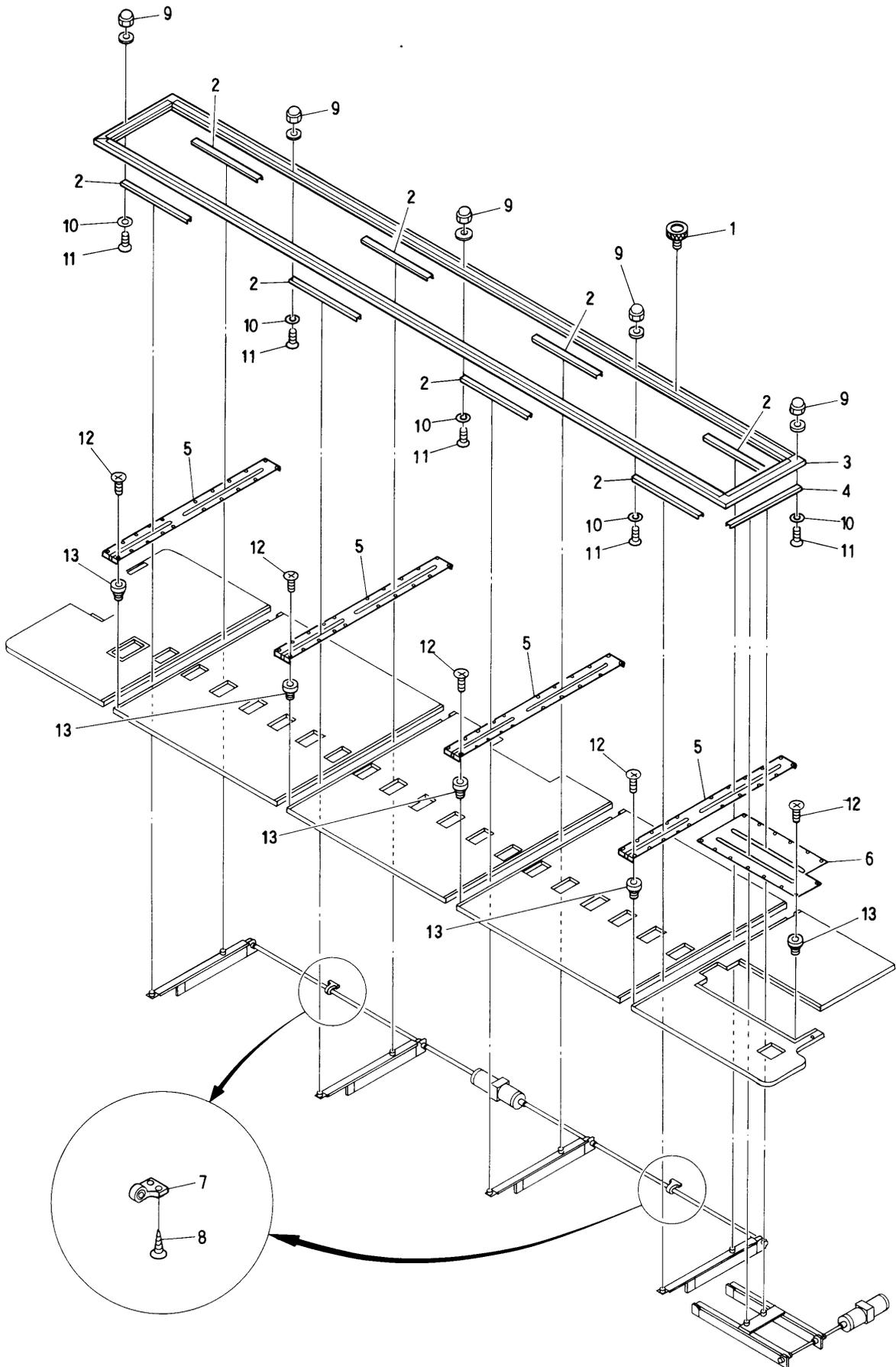
From the library of: Diamond Needle Corp

MODEL BEMRH-YS
BEMSH-YS
BEMXH-YS



From the library of: Diamond Needle Corp

MODEL
BEMRH-YS
BEMSH-YS
BEMXH-YS

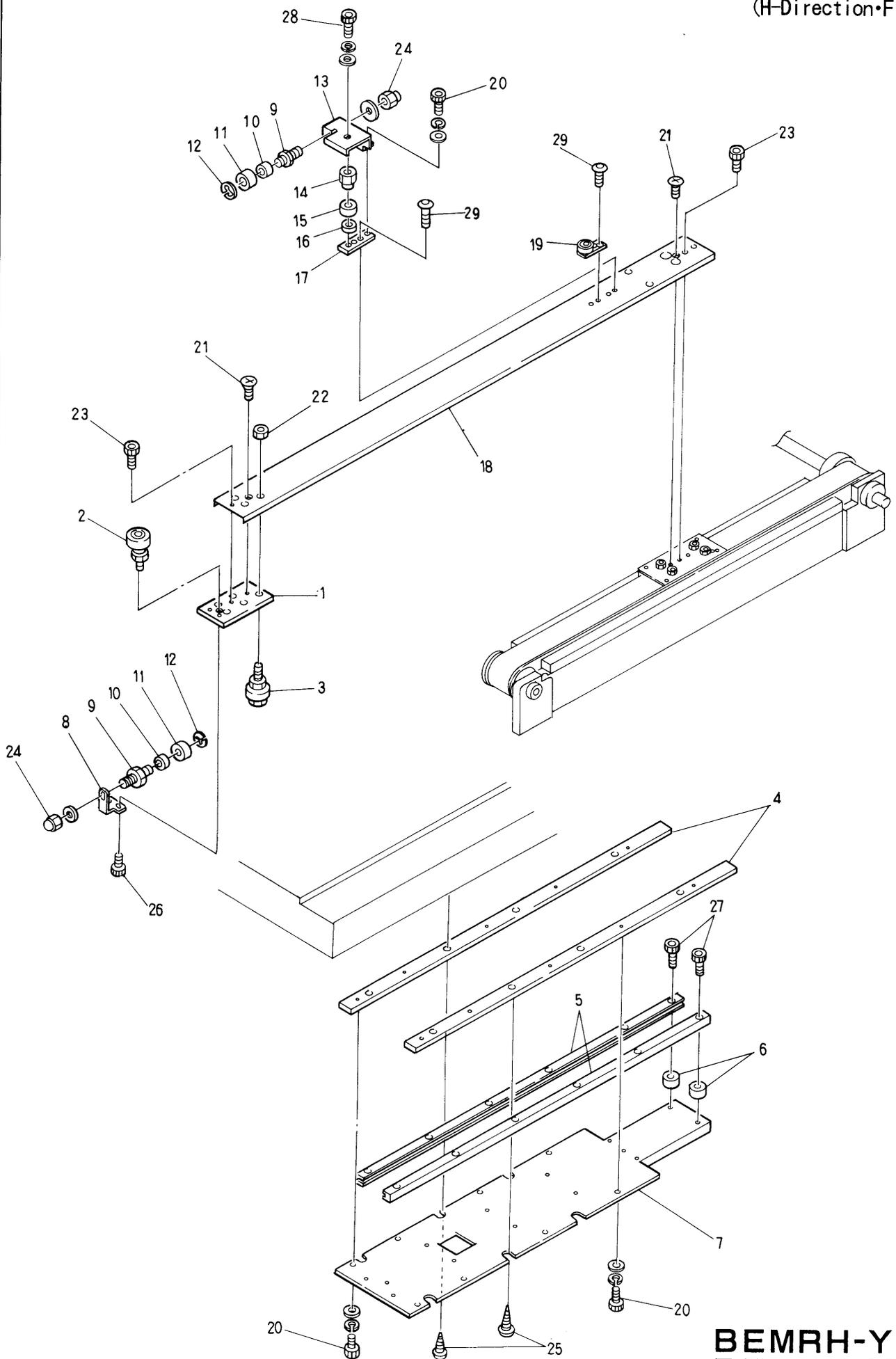


From the library of: Diamond Needle Corp

MODEL **BEMRH-YS**
BEMSH-YS
BEMXH-YS

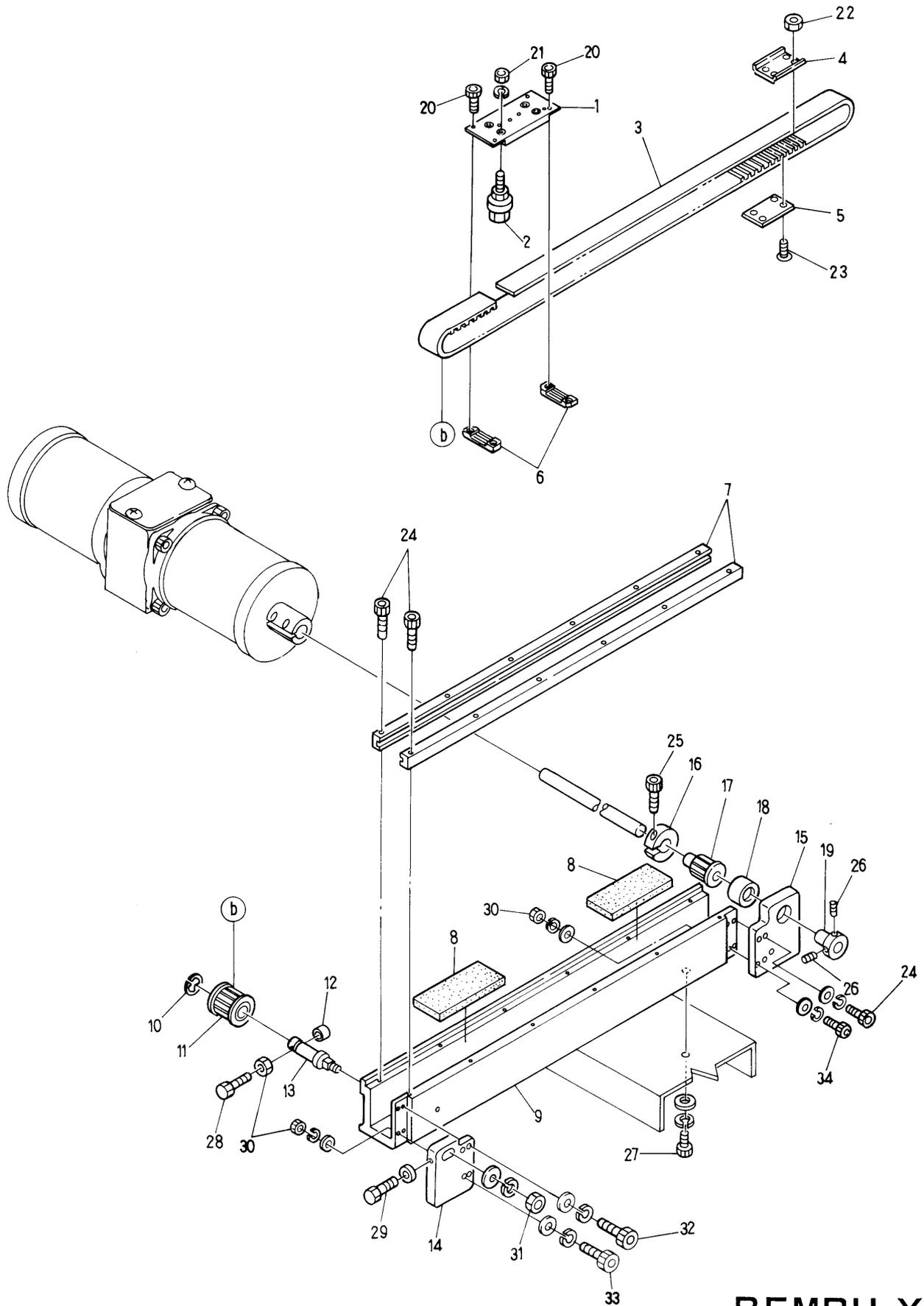
Barudan

⑮ Pantograph drive mechanism II
(H-Direction-Front)

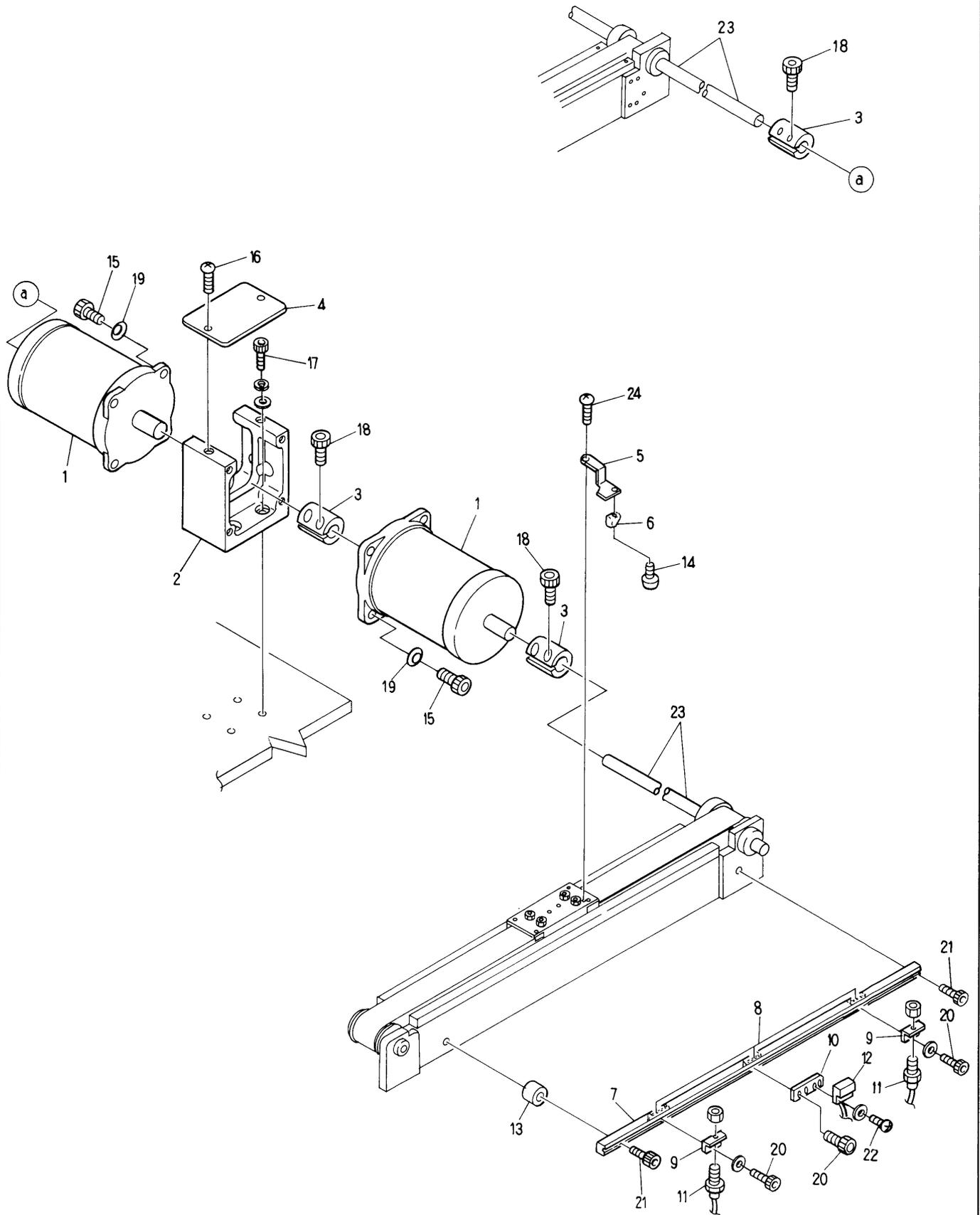


MODEL

BEMRH-YS
BEMSH-YS
BEMXH-YS



MODEL
BEMRH-YS
BEMSH-YS
BEMXH-YS

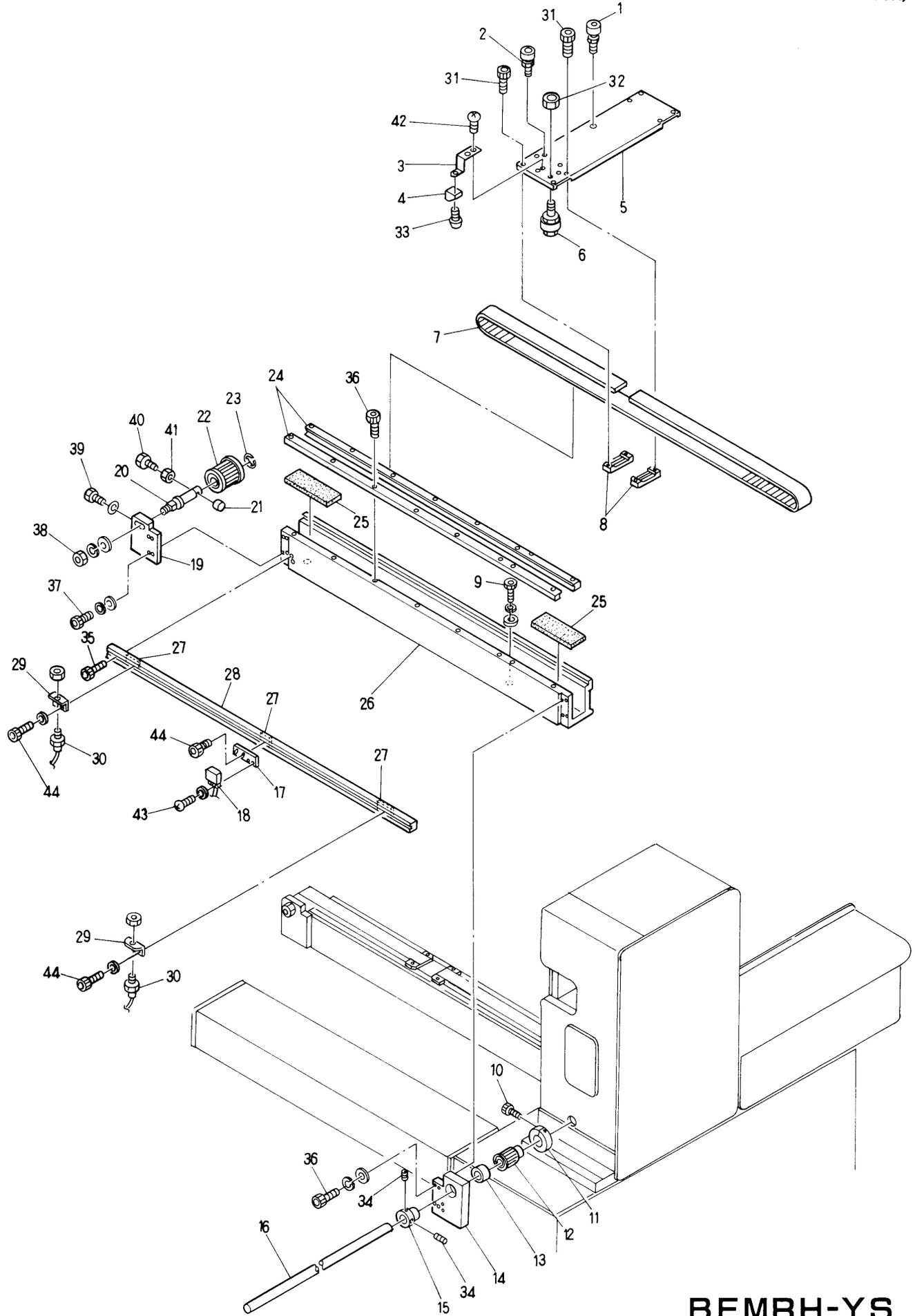


From the library of: Diamond Needle Corp

MODEL
BEMRH-YS
BEMSH-YS
BEMXH-YS

Barudan

⑱ Pantograph drive mechanism V
(V-Direction Guide rail base relation)



From the library of: Diamond Needle Corp

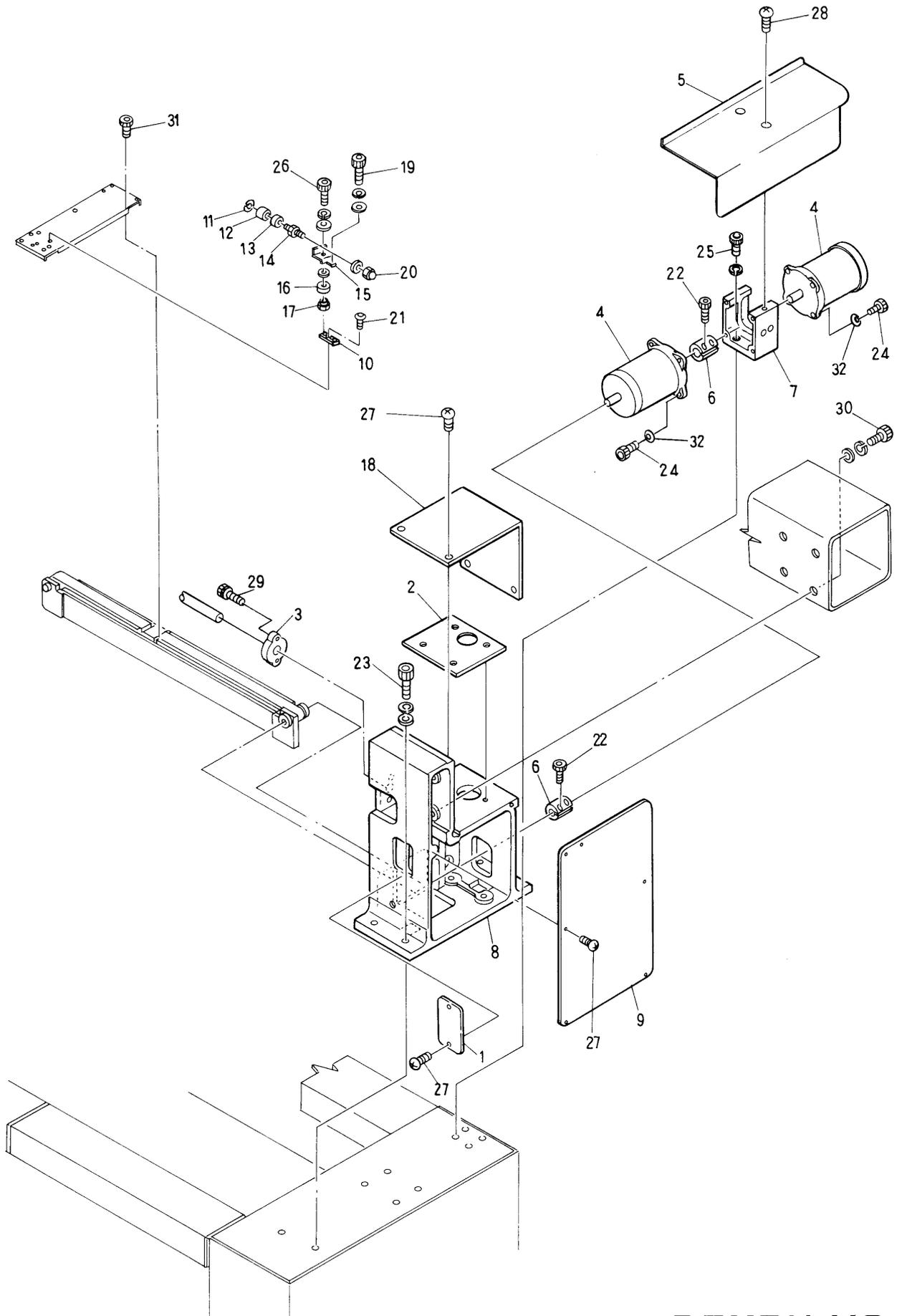
MODEL
BEMRH-YS
BEMSH-YS
BEMXH-YS

⑱ Pantograph drive mechanism V (V-Direction·Guide rail base relation)

(※Change the LIST No. by machine type)

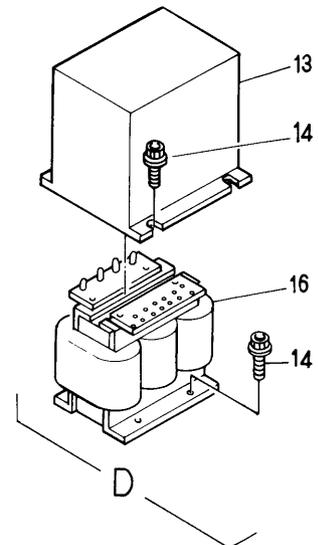
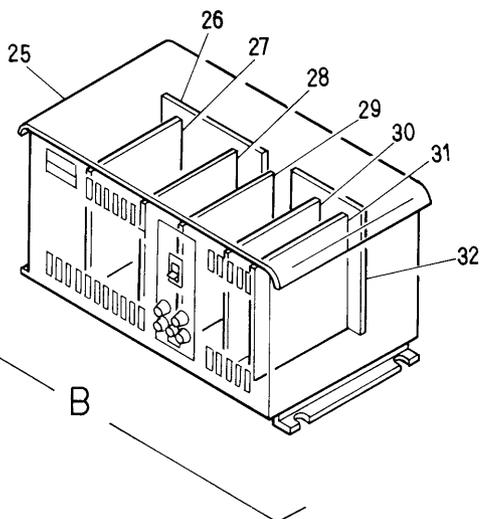
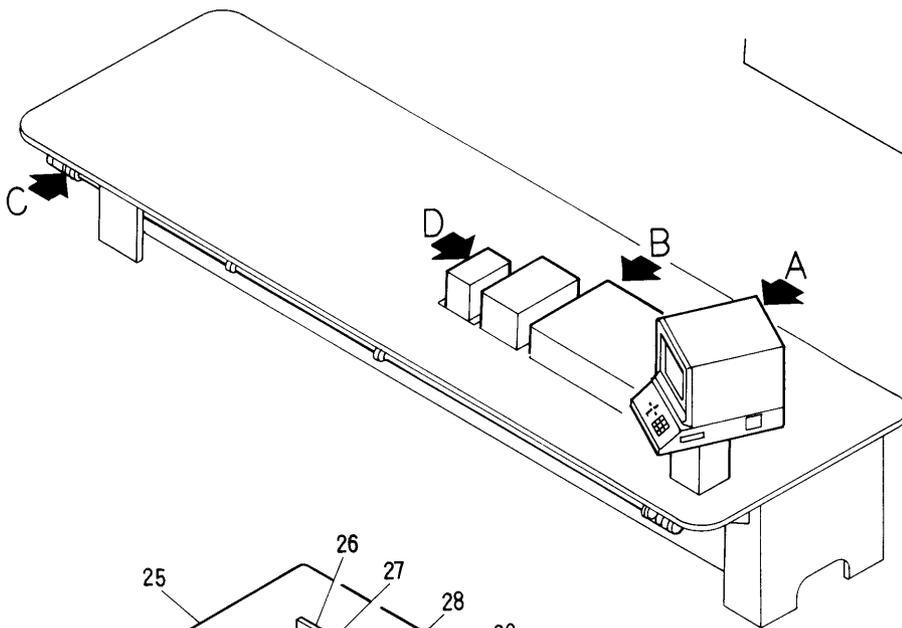
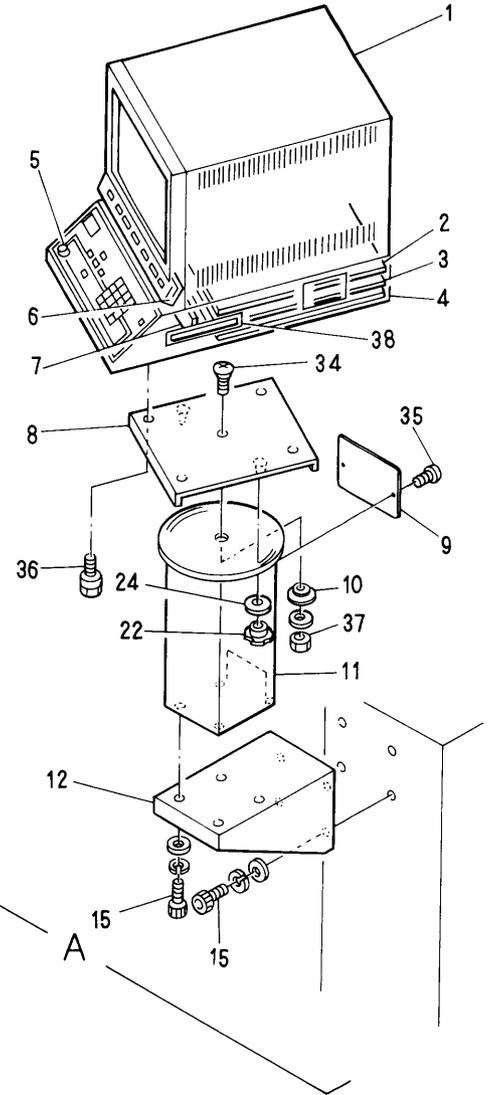
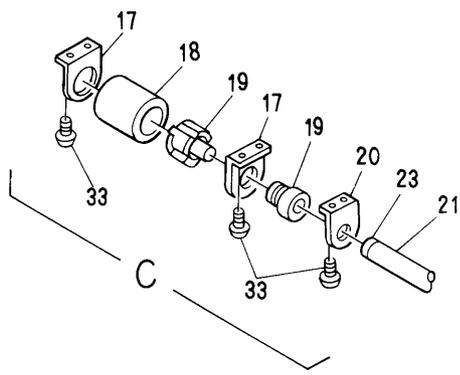
ITEM	LIST No.	DESCRIPTION	QTY	REMARK
1	HP483111	Slide bearing pin a'ssy (B)	1	
2	HP483370	Slide bearing pin a'ssy	1	
3	HP451100	V-Pantograph origin point magnet bracket	1	
4	A9052030	Magnet (M-102A-02)	1	
5	HP482892	V-Roller base	1	
6	HP482950	Roller pin a'ssy A	8	
7	A9020098	Timing belt (300S5M2000)	2	
8	HP482940	Timing belt set rack (5M)	4	
9	HH482031	Belt connecting plate No.1	2	
10	HH482041	Belt connecting plate No.2	2	
11	HH481980	Clamping $\phi 19$	2	
12	HP482990	Pantograph driving pulley (Rear) (S5M)	2	
13	A9011063	Needle bearing (TLA2016)	2	
14	HH482011	H-Guide rear pulley bracket	2	
15	HH481970	Pulse motor connecting shaft collar	2	
16		V-Pulsre motor connecting shaft	1	
17	KN450300	MH-601A Proximity switch fixing bracket	1	
18	A9052031	Magnetic proximity switch (MH-601A)	1	
19	HH482000	H-Guide front pulley bracket	2	
20	HH481991	Timing pulley shaft	2	
21	HH482110	Pulley shaft bolt cap	2	
22	HP482980	Pantograph driving pulley (Front) (S5M)	2	
23	A9012052	E-Ring ($\phi 10$)	2	
24	HP482910	V-Guide rail (L=1060)	4	
25	KN480061	Rail base felt (100×38×6)	4	
26	HP48217G530	V-Guide rail base (Stroke 530)	2	※
27	KU460270	Plate nut (M3)	3	
28	HP45112G530	V-Pantograph origin point rail (V530)	1	※
29	MT460240	RS-001 Bracket (V)	2	
30	A9052024	Switch (RS-001)	2	
31		Hex, socket bolt M3×6		
32		Hex, nut M5		
33		Truss screw M3×6		
34		Hex, nut M3		
35		Hex, socket bolt M4×8		
36		Hex, socket bolt M4×15		
37		Hex, socket bolt M4×18		
38		Hex, nut M8		
39		Hex, bolt M4×25		
40		Hex, bolt M4×35		
41		Hex, nut M4		
42		Flush screw M4×8 (Undercut)		
43		Truss screw M3×10		
44		Hex, socket bolt M3×8		

From the library of: Diamond Needle Corp



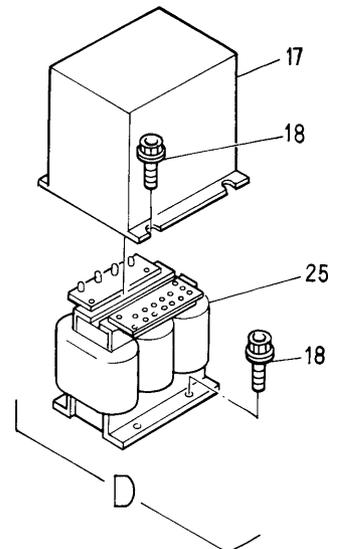
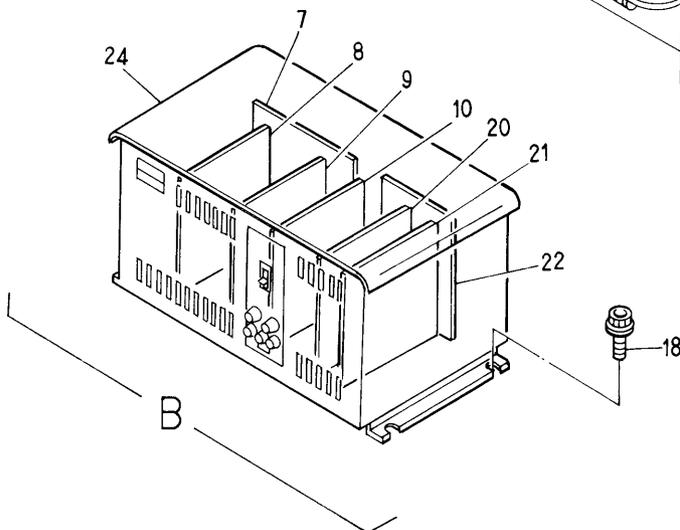
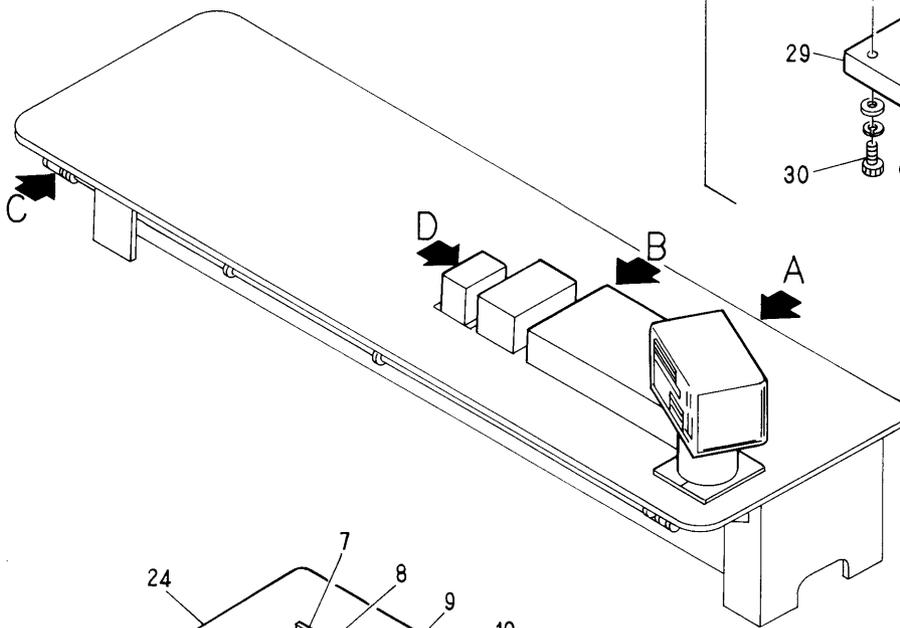
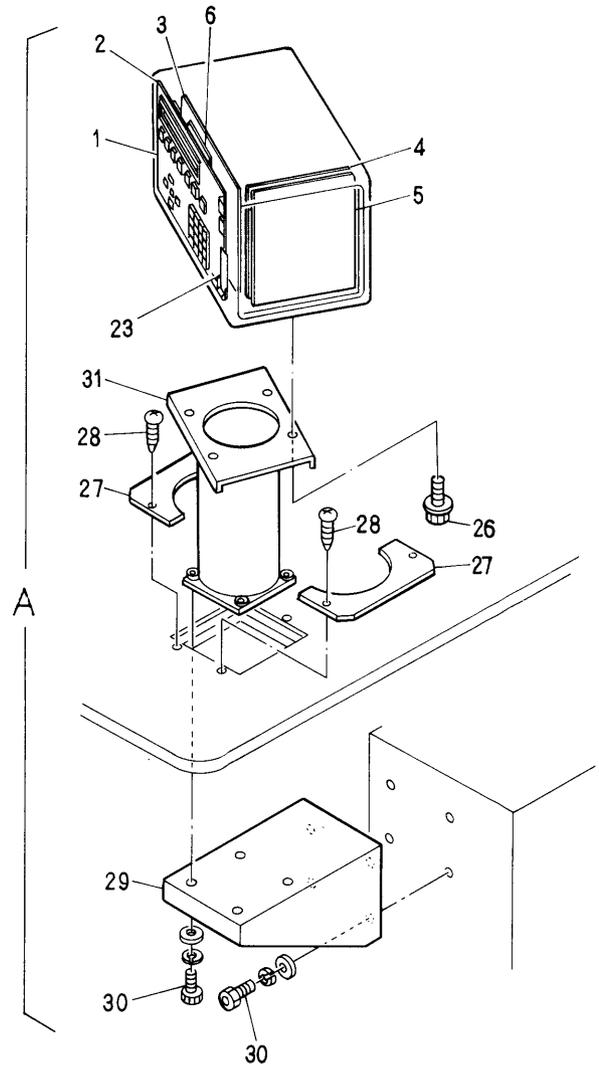
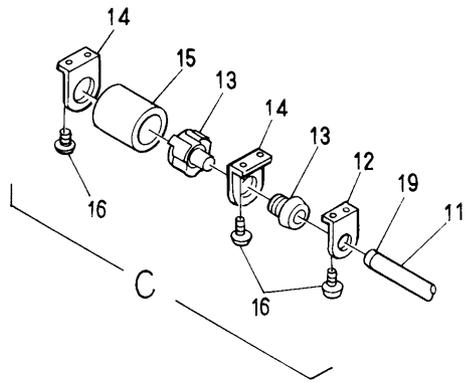
MODEL
BEMRH-YS
BEMSH-YS
BEMXH-YS

From the library of: Diamond Needle Corp



From the library of: Diamond Needle Corp

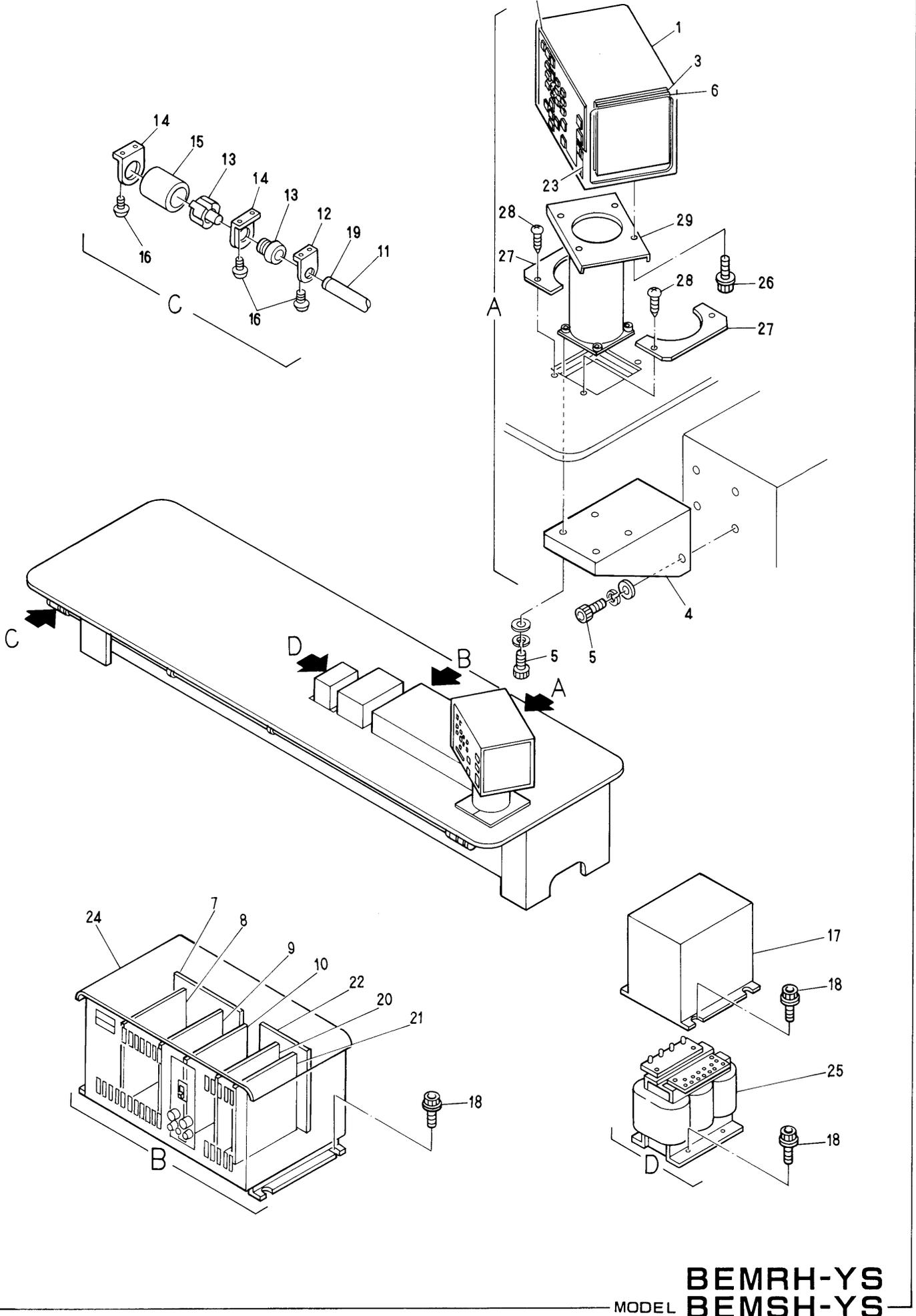
MODEL
BEMRH-YS
BEMSH-YS
BEMXH-YS



MODEL
BEMRH-YS
BEMSH-YS
BEMXH-YS

Barudan

⑳ Control system < BEMXH-YS >

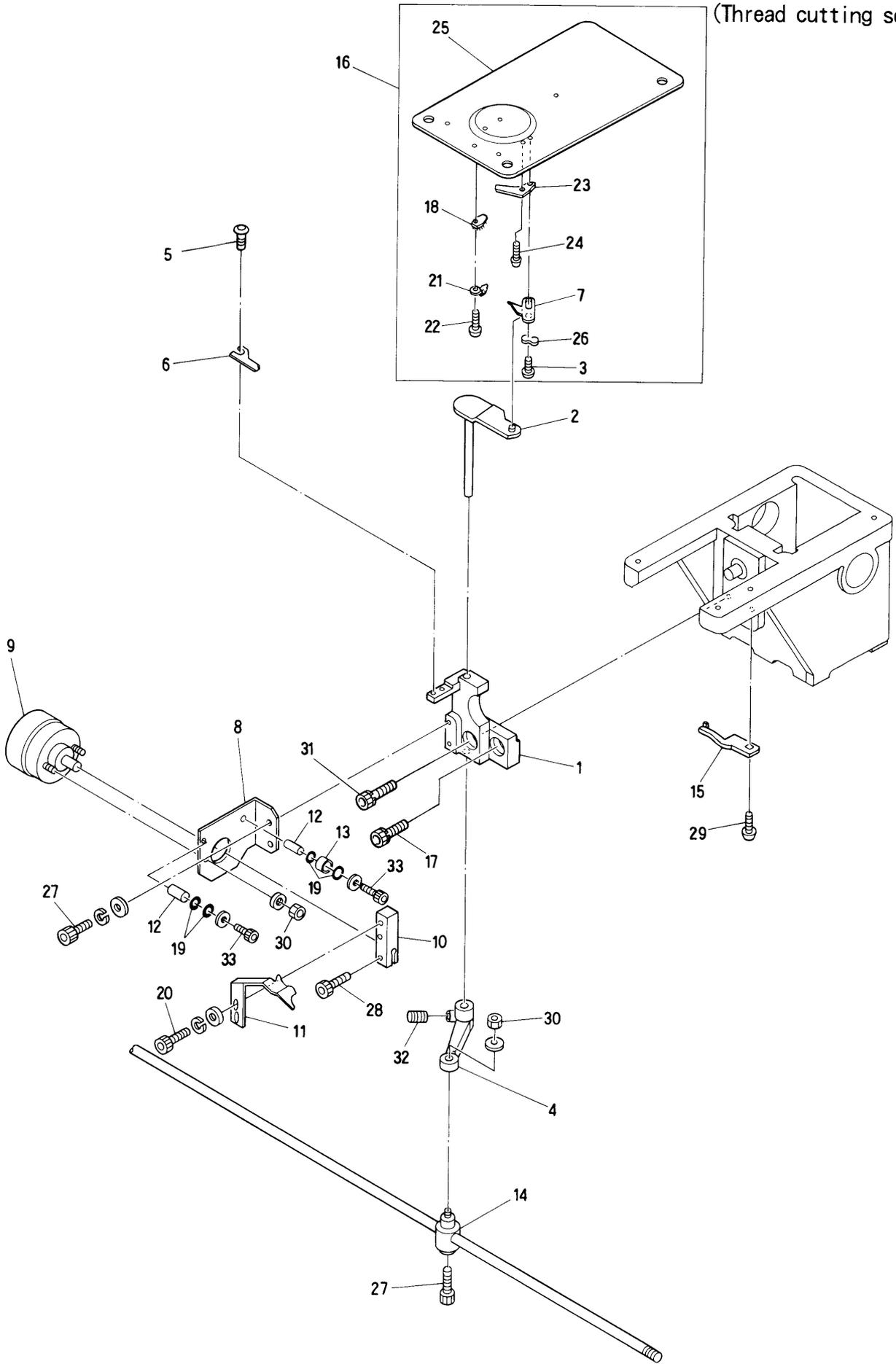


From the library of: Diamond Needle Corp

MODEL BEMRH-YS
BEMSH-YS
BEMXH-YS

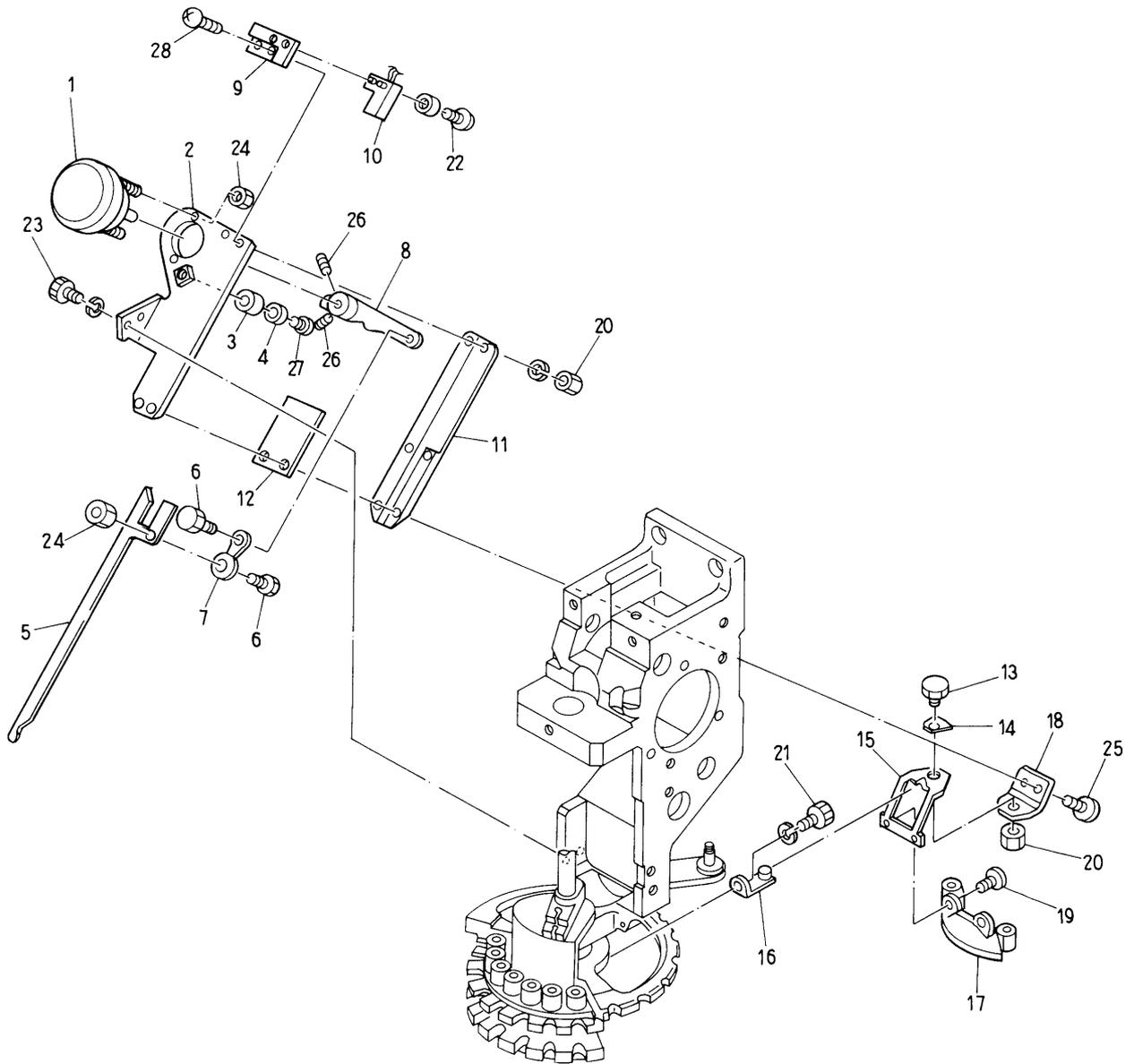
Barudan

② Thread cutting mechanism I
(Thread cutting section)



From the library of: Diamond Needle Corp

MODEL BEMRH-YS
BEMSH-YS
BEMXH-YS

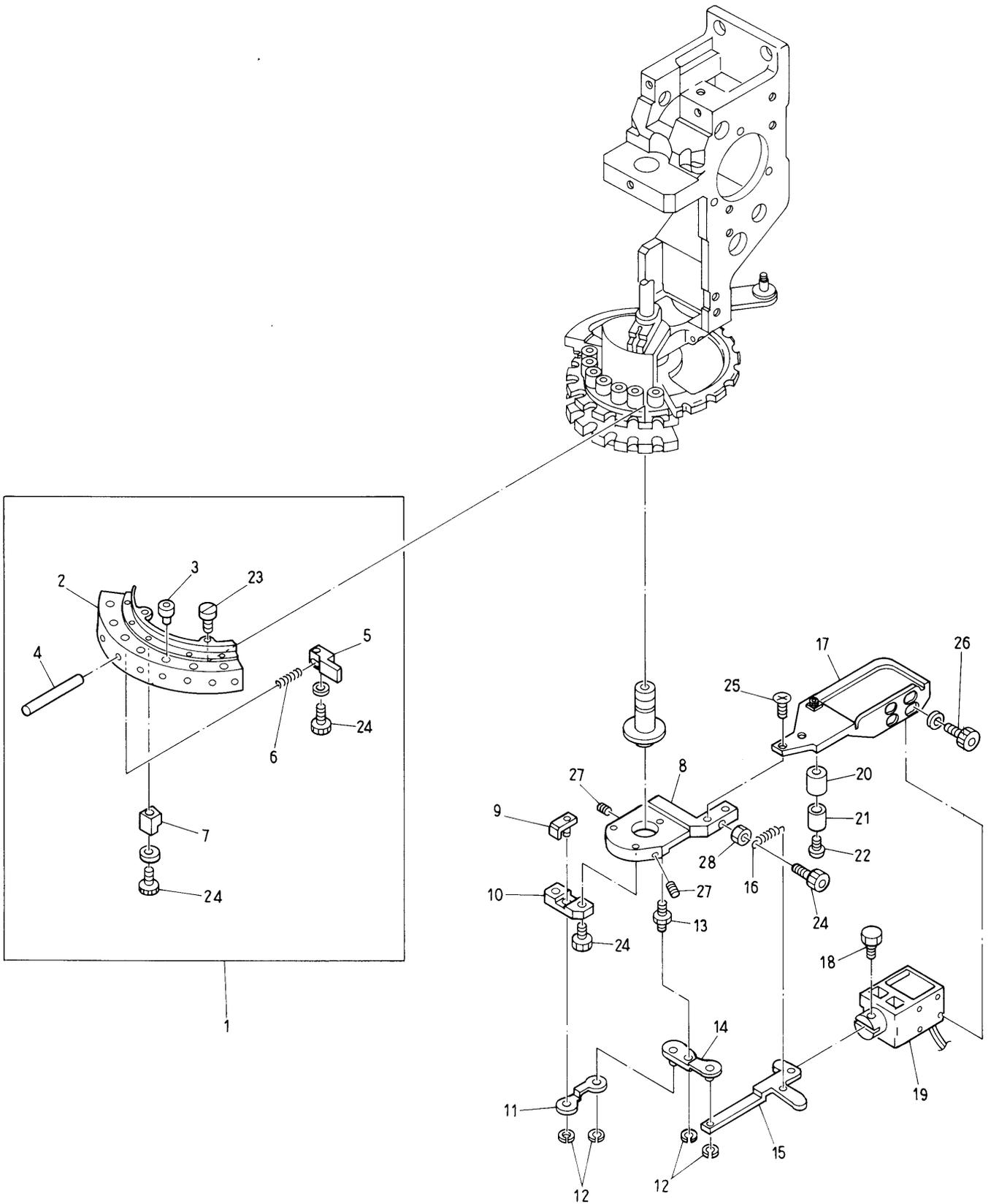


From the library of: Diamond Needle Corp

MODEL

BEMRH-YS
BEMSH-YS
BEMXH-YS

②④ Thread cutting mechanism III
(Thread support section)

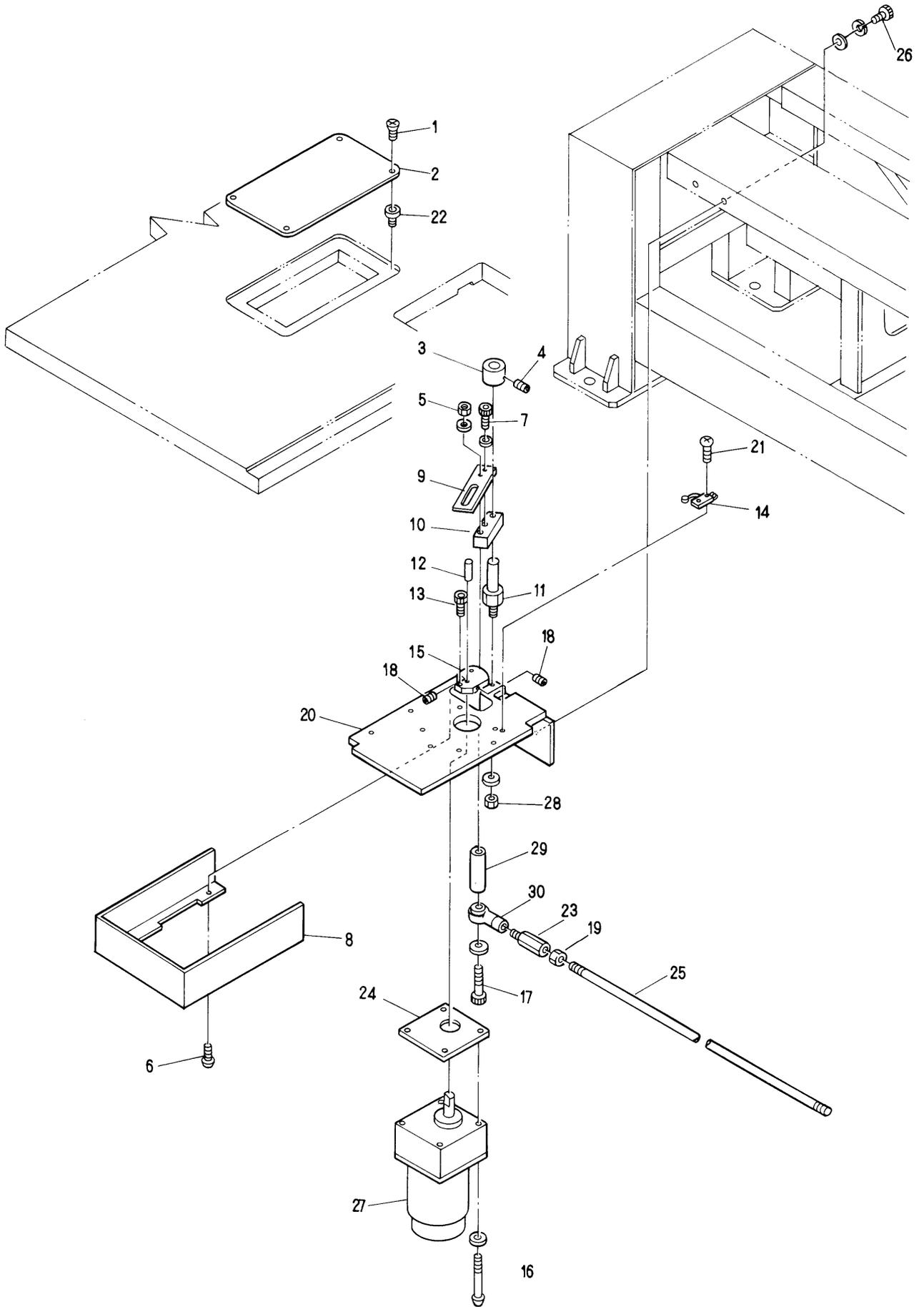


From the library of: Diamond Needle Corp

MODEL
BEMRH-YS
BEMSH-YS
BEMXH-YS

Barudan

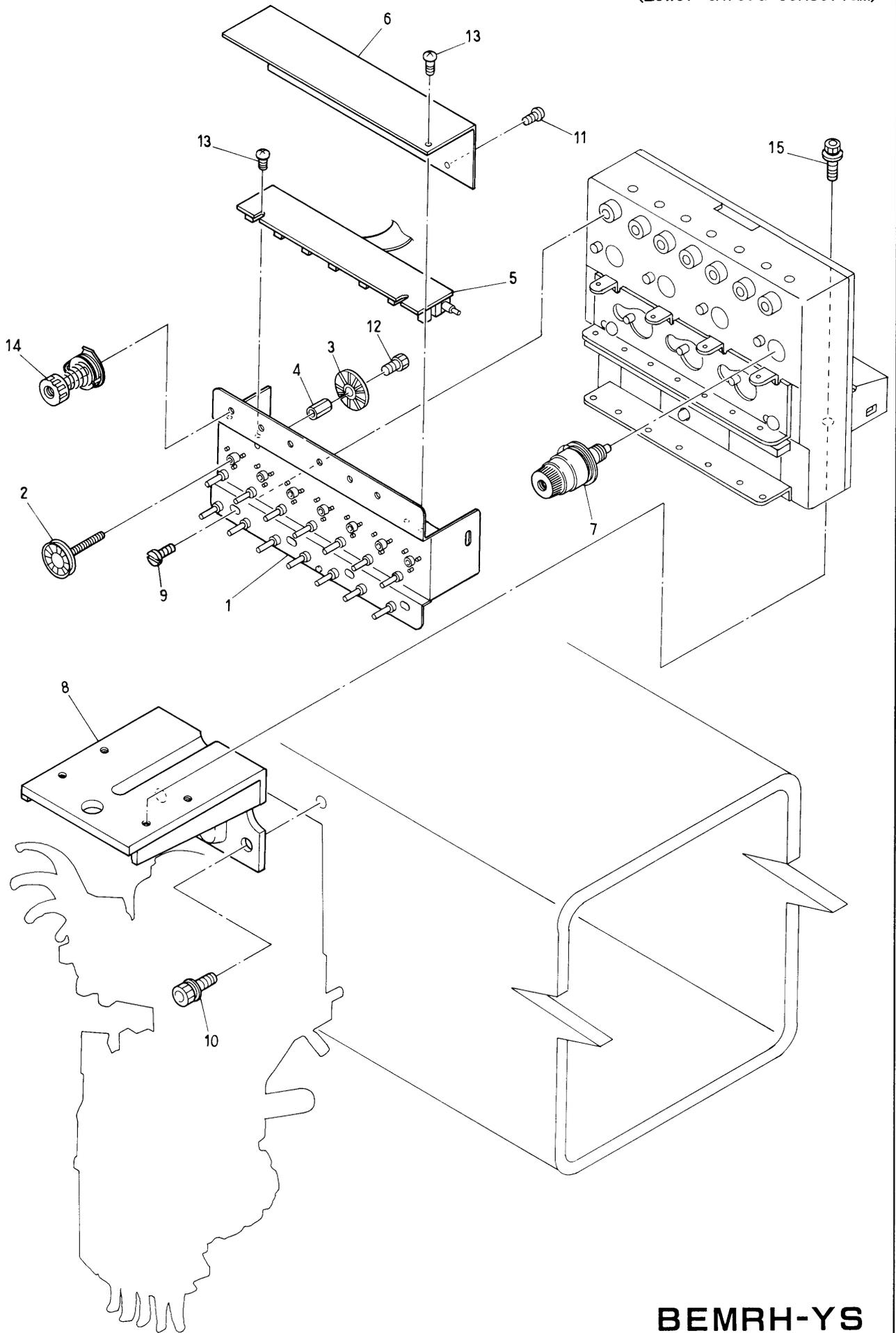
②⑤ Thread cutting mechanism IV (Drive section)



From the library of: Diamond Needle Corp

MODEL
BEMRH-YS
BEMSH-YS
BEMXH-YS

②⑥ Thread guide mechanism
(Lower thread sensorium)



From the library of: Diamond Needle Corp

MODEL

BEMRH-YS
BEMSH-YS
BEMXH-YS

I N D E X

L I S T No.	P A G E No.	I T E M	L I S T No.	P A G E No.	I T E M
1AHB2024053045G	3	4	A 9 0 1 2 1 9 0	1 5	2 0
1BHB2024053045G	3	1 7	A 9 0 1 2 2 1 3	3	5
1EHB20240530N	3	2 6	A 9 0 1 2 2 1 9	3 5	1 3
1FM2024053045G	2 9	3	A 9 0 1 2 2 9 1	1 3	1 9
1 J P 2 0 2 4 0	4 7	1	A 9 0 1 2 3 2 4	5 7	9
1KHB2024053045G	3	1	A 9 0 1 3 0 4 5	4 9	2 6
1SHB20240530J	3	7	A 9 0 1 3 0 4 5	4 9	2 6
A 9 0 1 0 0 0 1	2 5	8	A 9 0 1 3 0 4 5	5 1	1 4
A 9 0 1 0 0 1 7	9	1 5	A 9 0 1 4 0 2 2	5	1 8
A 9 0 1 0 1 0 0	7	4	A 9 0 1 4 0 5 1	1 7	1 8
A 9 0 1 0 1 0 1	7	3	A 9 0 2 0 0 9 8	3 3	3
A 9 0 1 0 1 0 2	7	5	A 9 0 2 0 0 9 8	3 7	7
A 9 0 1 1 0 2 1	1 1	5	A 9 0 2 0 1 3 1	2 3	2 1
A 9 0 1 1 0 2 1	1 3	2 2	A 9 0 2 0 2 0 3	2 1	1 3
A 9 0 1 1 0 2 2	1 3	2 3	A 9 0 5 2 0 0 5	5 5	1 4
A 9 0 1 1 0 2 3	1 3	2 1	A 9 0 5 2 0 2 4	3 5	1 1
A 9 0 1 1 0 3 5	2 3	3	A 9 0 5 2 0 2 4	3 7	3 0
A 9 0 1 1 0 4 0	2 1	4	A 9 0 5 2 0 2 8	5 1	1 0
A 9 0 1 1 0 4 0	2 3	1 7	A 9 0 5 2 0 3 0	3 5	6
A 9 0 1 1 0 6 3	3 3	1 8	A 9 0 5 2 0 3 0	3 7	4
A 9 0 1 1 0 6 3	3 7	1 3	A 9 0 5 2 0 3 1	3 5	1 2
A 9 0 1 1 1 1 1	5	2 7	A 9 0 5 2 0 3 1	3 7	1 8
A 9 0 1 1 1 1 1	7	2	A 9 0 5 6 0 1 0	4 9	9
A 9 0 1 1 1 5 2	1 1	4	A 9 0 5 6 0 1 1	2 7	1 5
A 9 0 1 2 0 0 1	2 7	7	A 9 0 5 6 0 1 3	5 3	1 9
A 9 0 1 2 0 0 2	2 7	1 4	A 9 0 5 6 0 1 8	5 1	1
A 9 0 1 2 0 0 2	5 5	3 0	A 9 0 5 6 0 2 0	1 7	1
A 9 0 1 2 0 0 3	1 3	2 6	A 9 0 6 5 0 2 8	5 5	2 7
A 9 0 1 2 0 0 5	1 3	2 6	E A Y 0 1 7 A 1	4 1	1
A 9 0 1 2 0 5 1	1 7	1 9	E A Y 0 1 7 A 2	4 1	2 5
A 9 0 1 2 0 5 2	3 3	1 0	E A Y 0 1 7 A 3	4 1	1 6
A 9 0 1 2 0 5 2	3 7	2 3	E A Y 0 1 8 A 3	4 1	1 6
A 9 0 1 2 0 5 3	1 3	6	E A Y 0 2 1 A 1	4 3	1
A 9 0 1 2 0 5 5	2 7	1 8	E A Y 0 2 1 A 3	4 3	2 5
A 9 0 1 2 0 5 6	5 3	1 2	E A Y 0 2 1 A 3	4 5	2 5
A 9 0 1 2 0 6 8	2 3	1 0	E A Y 0 2 2 A 3	4 3	2 5
A 9 0 1 2 1 2 6	3 1	1 0	E A Y 0 2 2 A 3	4 5	2 5
A 9 0 1 2 1 2 6	3 9	1 3	E A Y 0 2 3 A 1	4 5	1
A 9 0 1 2 1 2 7	3 1	1 2	E B Y 0 0 1 8 0	2 5	4
A 9 0 1 2 1 2 7	3 9	1 1	E B Y 0 0 4 5 0	4 1	2
A 9 0 1 2 1 4 3	2 7	2 2	E B Y 0 0 4 6 0	4 1	3
A 9 0 1 2 1 5 4	5	3	E B Y 0 0 4 7 0	4 1	4
A 9 0 1 2 1 6 3	9	1 6	E B Y 0 0 4 8 0	4 1	7
A 9 0 1 2 1 6 4	1 5	1 0	E B Y 0 0 4 9 0	4 1	5
A 9 0 1 2 1 6 6	2 3	1 3	E B Y 0 0 5 0 0	4 1	6

From the library of: Diamond Needle Corp

I N D E X

LIST No.	PAGE No.	ITEM	LIST No.	PAGE No.	ITEM
EBY 0 0 5 1 0	4 1	3 1	HB 2 2 0 0 1 0	5	8
EBY 0 0 5 1 0	4 3	2 1	HB 2 3 0 0 1 1	9	1 3
EBY 0 0 5 1 0	4 5	2 1	HB 2 3 0 0 2 0	9	1 1
EBY 0 0 5 2 0	4 1	3 0	HB 2 3 0 0 3 0	9	1 4
EBY 0 0 5 2 0	4 3	2 0	HB 2 3 0 0 4 0	9	1 9
EBY 0 0 5 2 0	4 5	2 0	HB 2 3 0 0 5 1	9	1 0
EBY 0 0 5 3 0	4 1	2 8	HB 2 3 0 0 6 2	9	9
EBY 0 0 5 3 0	4 3	9	HB 2 3 0 0 7 0	9	8
EBY 0 0 5 3 0	4 5	9	HB 2 3 0 0 8 0	9	7
EBY 0 0 5 4 0	4 1	2 7	HB 2 3 0 0 9 1	9	1 8
EBY 0 0 5 4 0	4 3	8	HB 2 3 0 1 0 0	9	1
EBY 0 0 5 4 0	4 5	8	HB 2 3 0 1 1 1	9	5
EBY 0 0 5 5 0	4 1	2 9	HB 2 3 0 1 2 1	1 1	8
EBY 0 0 5 5 0	4 3	1 0	HB 2 3 0 1 4 0	1 3	2 4
EBY 0 0 5 5 0	4 5	1 0	HB 2 3 0 1 5 0	1 1	6
EBY 0 0 5 6 0	4 1	3 2	HB 2 3 0 1 6 0	1 5	1 1
EBY 0 0 5 6 0	4 3	2 2	HB 2 3 0 1 7 0	1 3	2 0
EBY 0 0 5 6 0	4 5	2 2	HB 2 3 0 1 8 0	1 3	2 9
EBY 0 0 5 7 0	4 1	2 6	HB 2 3 0 1 9 0	1 3	3
EBY 0 0 5 7 0	4 3	7	HB 2 3 0 2 0 0	1 5	1 3
EBY 0 0 5 7 0	4 5	7	HB 2 3 0 2 1 0	1 5	1 4
EBY 0 0 6 3 0	4 3	2 3	HB 2 3 0 2 2 0	1 5	9
EBY 0 0 6 3 0	4 5	2 3	HB 2 3 0 2 3 1	1 5	1 2
EBY 0 0 9 1 0	5 7	5	HB 2 3 0 2 4 1	1 5	4
EBY 0 0 9 2 0	5 7	5	HB 2 3 0 2 5 1	1 5	8
EBY 0 0 9 3 0	4 5	2	HB 2 3 0 2 6 1	1 5	3
EBY 0 0 9 4 0	4 3	4	HB 2 3 0 2 7 1	1 5	2
EBY 0 0 9 4 0	4 5	3	HB 2 3 0 2 8 1	1 5	7
EBY 0 0 9 5 0	4 3	5	HB 2 3 0 2 9 1	1 1	3
EBY 0 0 9 5 0	4 5	6	HB 2 3 0 3 0 1	1 1	9
EBY 0 0 9 7 0	4 3	3	HB 2 3 0 3 1 0	1 1	1 1
EBY 0 0 9 8 0	4 3	6	HB 2 3 0 3 2 0	9	2
EBY 0 0 9 9 0	4 3	2	HB 2 3 0 3 3 1	9	3
EBY 0 1 0 7 0	1 9	1 2	HB 2 3 0 3 4 0	9	1 2
EBY 0 2 1 A 2	4 3	2 4	HB 2 3 0 3 5 0	1 5	5
EBY 0 2 1 A 2	4 5	2 4	HB 2 3 0 3 6 0	1 5	6
HB 1 3 0 0 1 1 4 5	3	3 4	HB 2 3 0 3 7 2	1 5	1 5
HB 1 3 0 0 2 0	2 3	2	HB 2 3 0 3 8 2	1 5	1 9
HB 1 3 0 0 2 0	3 9	2	HB 2 3 0 3 9 0	1 5	2 1
HB 1 3 0 0 3 0	2 3	2	HB 2 3 0 4 0 1	1 5	2 2
HB 1 3 0 0 3 0	3 9	2	HB 2 3 0 4 1 4	1 5	1 6
HB 1 3 0 0 4 0	3	3 3	HB 2 3 0 4 2 0	1 5	1 7
HB 2 1 0 0 1 0	9	1 7	HB 2 3 0 4 3 1	1 3	1 5
HB 2 1 0 2 3 0	5	5	HB 2 3 0 4 4 1	1 3	1 5
HB 2 1 0 2 4 0	5	5	HB 2 3 0 4 5 0	1 7	1 0

I N D E X

LIST	No.	PAGE No.	ITEM	LIST	No.	PAGE No.	ITEM
HB 2 3 0 4 6 0		1 7	1 2	HB 2 4 0 2 9 0		1 1	1
HB 2 3 0 4 7 0		1 7	1 1	HB 2 4 0 3 0 0		1 9	1 3
HB 2 3 0 4 8 1		1 1	7	HB 2 4 0 3 1 0		1 7	6
HB 2 3 0 4 9 3		9	9	HB 2 4 0 3 3 0		1 7	5
HB 2 3 0 5 0 2		1 3	7	HB 2 4 0 3 4 0		1 7	7
HB 2 3 0 5 4 2		1 3	8	HB 3 1 0 0 1 0		3 9	8
HB 2 3 0 5 5 0		1 3	2 5	HB 3 1 0 0 2 0		2 3	1
HB 2 3 0 5 7 1		1 5	1 8	HB 3 1 0 0 3 0		3 9	9
HB 2 3 0 5 9 0		1 5	2 3	HB 3 1 0 0 4 0		2 3	1 1
HB 2 3 0 6 0 1		1 3	1	HB 3 1 0 0 5 1		2 3	1 9
HB 2 3 0 6 1 1		1 3	1	HB 3 1 0 0 6 0		2 1	9
HB 2 3 0 6 2 0		9	4	HB 3 1 0 0 7 0		2 1	7
HB 2 3 0 6 4 1		9	3 1	HB 3 1 0 0 7 0		2 3	1 8
HB 2 3 0 6 5 0		9	3 0	HB 3 1 0 0 8 0		2 3	9
HB 2 3 0 6 8 1		9	3 2	HB 3 1 0 1 0 0		2 3	7
HB 2 3 0 6 9 1		9	3 2	HB 3 1 0 1 1 0		2 3	1 6
HB 2 3 0 7 0 1		1 5	1	HB 3 1 0 1 2 0		2 1	1
HB 2 3 0 7 1 0		9	3 3	HB 3 1 0 1 3 0		2 1	2
HB 2 3 0 7 2 0		1 3	1 8	HB 3 1 0 1 4 0		2 1	1 1
HB 2 3 0 7 5 0		1 1	1 2	HB 3 1 0 1 5 0		2 1	3
HB 2 3 0 7 6 0		1 1	1 0	HB 3 1 0 1 6 0		2 3	6
HB 2 3 0 8 0 0		9	2 0	HB 3 1 0 1 6 0		3 9	1
HB 2 4 0 0 1 1		1 7	2	HB 3 1 0 1 7 0		2 3	1 2
HB 2 4 0 0 2 0		1 7	8	HB 3 1 0 1 8 0		2 3	2 2
HB 2 4 0 0 3 0		1 7	9	HB 3 1 0 1 8 0		3 9	1 8
HB 2 4 0 0 4 0		1 7	4	HB 3 1 0 1 9 1		2 3	1 5
HB 2 4 0 0 5 0		1 7	3	HB 3 1 0 2 0 0		2 3	1 4
HB 2 4 0 0 6 0		1 7	1 3	HB 3 1 0 2 1 0		2 1	1 2
HB 2 4 0 0 7 0		1 7	1 7	HB 3 1 0 2 2 0		2 1	8
HB 2 4 0 0 8 0		1 7	1 5	HB 3 1 0 2 3 0		3 9	5
HB 2 4 0 0 9 0		1 7	1 4	HB 3 1 0 2 6 0		2 3	2 0
HB 2 4 0 1 1 0		1 7	1 6	HB 3 2 0 0 3 0		7	1
HB 2 4 0 1 5 1		1 1	2	HB 3 2 0 0 5 0		7	1
HB 2 4 0 1 6 1		1 1	1 3	HB 3 3 0 0 1 0		2 5	1 2
HB 2 4 0 1 7 1		1 1	1 4	HB 3 3 0 0 2 0		2 5	5
HB 2 4 0 1 8 0		1 1	1	HB 3 3 0 0 3 0		2 7	4
HB 2 4 0 2 0 0		1 9	1 7	HB 3 3 0 0 4 0		2 7	5
HB 2 4 0 2 1 0		1 9	1 8	HB 3 3 0 0 5 0		2 7	2 0
HB 2 4 0 2 2 0		1 9	1 9	HB 3 3 0 0 6 0		2 7	1 6
HB 2 4 0 2 3 1		1 9	2 1	HB 3 3 0 0 7 0		2 7	2
HB 2 4 0 2 4 1		1 9	2 2	HB 3 3 0 0 8 0		2 7	1 7
HB 2 4 0 2 5 0		1 9	2 3	HB 3 3 0 0 9 0		2 7	1
HB 2 4 0 2 6 0		1 9	1 1	HB 3 3 0 1 0 1		2 7	2 1
HB 2 4 0 2 7 0		1 9	1 1	HB 3 3 0 1 1 0		2 5	9
HB 2 4 0 2 8 0		1 1	1 4	HB 3 3 0 1 2 0		2 7	3

From the library of: Diamond Needle Corp

I N D E X

LIST No.	PAGE No.	ITEM	LIST No.	PAGE No.	ITEM
HB 3 3 0 1 3 0	2 5	7	HP 1 2 0 0 3 0	3	3 1
HB 3 3 0 1 4 0	2 5	1	HP 1 3 0 0 2 1	3	2 5
HB 3 3 0 1 5 0	2 5	1 5	HP 1 4 0 0 9 0	3	1 9
HB 3 3 0 1 7 0	2 5	6	HP 1 4 0 1 0 0 8 5	3	1 8
HB 3 3 0 1 9 0	2 5	1 4	HP 1 4 0 1 1 1	3	8
HB 3 3 0 2 0 0	2 5	1 3	HP 1 4 0 1 2 0	3	1 4
HB 3 3 0 2 1 1	2 5	1 1	HP 1 4 0 1 3 0 4 5	3	1 6
HB 3 3 0 2 2 1	2 5	1 0	HP 1 4 0 1 7 0	3	2 1
HB 5 4 0 0 4 0	5 7	1	HP 1 4 0 4 9 0	3	1 2
HB 5 4 0 0 5 0	5 7	1	HP 1 4 0 8 4 1	3	1 1
HB 5 4 0 0 6 0	5 7	6	HP 1 4 1 0 8 0	3	1 5
HB 5 4 0 0 7 0	5 7	6	HP 1 4 1 0 9 0	3	2 0
HH 1 4 0 2 6 0	3	1 0	HP 1 4 1 4 5 0	3	9
HH 1 4 0 9 4 0	3	3 6	HP 2 1 0 3 4 1	5	1 5
HH 2 2 0 5 7 0	5	1 3	HP 2 1 1 0 5 0	5	1 5
HH 3 2 0 5 5 0	2 3	4	HP 2 2 0 6 8 0	5	9
HH 3 3 0 6 7 0	2 7	2 5	HP 2 2 0 7 0 1	5	1 1
HH 3 3 0 7 6 0	5 5	2 3	HP 2 2 0 7 1 2	5	4
HH 3 3 0 7 7 0	2 7	1 0	HP 2 2 0 7 2 0	5	1 0
HH 3 3 0 8 1 0	2 7	2 6	HP 2 2 0 7 3 0	5	1 0
HH 4 8 1 9 0 0	3 5	1	HP 2 4 1 1 1 2	1 9	6
HH 4 8 1 9 0 0	3 9	4	HP 2 4 1 1 2 2	1 9	6
HH 4 8 1 9 1 1	3 5	2	HP 2 4 1 1 5 0	1 9	2
HH 4 8 1 9 1 1	3 9	7	HP 2 4 1 1 6 0	1 9	7
HH 4 8 1 9 3 1	3 5	3	HP 2 4 1 1 7 0	1 9	3
HH 4 8 1 9 3 1	3 9	6	HP 2 4 1 1 8 0	1 9	3
HH 4 8 1 9 4 0	3 5	4	HP 2 4 1 3 7 1	1 9	8
HH 4 8 1 9 7 0	7	6	HP 2 4 1 3 8 1	1 9	8
HH 4 8 1 9 7 0	3 3	1 9	HP 2 4 1 4 1 0	1 9	1
HH 4 8 1 9 7 0	3 7	1 5	HP 2 4 1 4 3 0	4 7	5
HH 4 8 1 9 8 0	3 3	1 6	HP 2 4 1 4 3 0	5 7	1 0
HH 4 8 1 9 8 0	3 7	1 1	HP 2 4 1 4 4 0	1 9	5
HH 4 8 1 9 9 1	3 3	1 3	HP 2 4 1 4 5 0	1 9	4
HH 4 8 1 9 9 1	3 7	2 0	HP 2 4 1 4 6 0	1 9	4
HH 4 8 2 0 0 0	3 3	1 4	HP 2 4 1 4 7 0	1 9	1 0
HH 4 8 2 0 0 0	3 7	1 9	HP 2 4 1 4 8 0	1 9	1 0
HH 4 8 2 0 1 1	3 3	1 5	HP 2 5 0 0 5 0	1 9	2 0
HH 4 8 2 0 1 1	3 7	1 4	HP 2 5 0 7 6 3	5	1
HH 4 8 2 0 3 1	3 3	4	HP 2 5 0 7 6 3	4 9	2 5
HH 4 8 2 0 4 1	3 3	5	HP 2 7 1 7 0 0	5 5	2 0
HH 4 8 2 0 9 G 4 5	3 3	9	HP 2 7 2 0 0 2	4 9	1 6
HH 4 8 2 1 1 0	3 3	1 2	HP 2 7 2 5 5 0	4 9	1
HH 4 8 2 1 1 0	3 7	2 1	HP 2 7 2 5 6 0	4 9	2
HK 2 2 0 6 8 1	5	9	HP 2 7 2 5 7 0	4 9	8
HP 1 2 0 0 2 0	3	3	HP 3 1 0 1 5 0	2 3	8

I N D E X

L I S T	No.	PAGE No.	ITEM	L I S T	No.	PAGE No.	ITEM
HP 3 1 0 2 2 0		2 1	1 7	HP 4 8 2 9 4 0		3 3	6
HP 3 2 1 0 8 2		5	1 6	HP 4 8 2 9 4 0		3 7	8
HP 3 2 1 0 9 0		5	1 7	HP 4 8 2 9 5 0		3 1	3
HP 3 2 1 1 0 0		2 1	1 0	HP 4 8 2 9 5 0		3 3	2
HP 3 2 1 1 1 0		3	2 8	HP 4 8 2 9 5 0		3 7	6
HP 3 2 1 1 4 0		3 9	3	HP 4 8 2 9 8 0		3 3	1 1
HP 3 2 1 7 1 0		7	7	HP 4 8 2 9 8 0		3 7	2 2
HP 3 2 1 7 2 0		7	8	HP 4 8 2 9 9 0		3 3	1 7
HP 3 3 1 5 6 0		2 7	1 3	HP 4 8 2 9 9 0		3 7	1 2
HP 3 3 1 6 1 0		2 7	1 2	HP 4 8 3 1 1 1		3 7	1
HP 3 3 1 6 6 0		2 7	8	HP 4 8 3 1 3 G 4 5		3 1	1 8
HP 3 3 1 7 0 0		2 7	2 3	HP 4 8 3 3 7 0		3 1	2
HP 3 3 1 9 2 2		7	1 0	HP 4 8 3 3 7 0		3 7	2
HP 3 3 1 9 5 0		2 7	2 4	HP 4 8 3 3 9 1		3 1	1 9
HP 4 5 1 0 8 0		3 5	5	HP 5 1 2 3 1 0		4 1	1 1
HP 4 5 1 1 0 0		3 7	3	HP 5 1 2 3 2 0		3	2 2
HP 4 5 1 1 1 G 4 5		3 5	7	HP 5 1 2 3 2 0		4 1	1 2
HP 4 5 1 1 2 G 5 3 0		3 7	2 8	HP 5 1 2 3 2 0		4 3	2 9
HP 4 6 0 1 2 1		3 1	8	HP 5 1 2 3 2 0		4 5	4
HP 4 6 0 1 6 0		3 1	1 1	HP 5 1 2 3 3 0		4 1	1 0
HP 4 6 0 1 6 0		3 9	1 2	HP 5 1 2 3 4 1		4 1	9
HP 4 6 0 1 7 0		3 1	9	HP 5 1 2 3 5 0		4 1	8
HP 4 6 0 1 7 0		3 9	1 4	HP 5 1 2 3 6 0		4 3	3 1
HP 4 8 0 1 2 0		2 9	7	HP 5 1 2 3 6 0		4 5	2 9
HP 4 8 2 1 7 G 5 3 0		3 7	2 6	HP 5 1 2 3 7 0		4 3	2 7
HP 4 8 2 2 1 G 5 3 0		2 9	6	HP 5 1 2 3 7 0		4 5	2 7
HP 4 8 2 2 5 0		3 1	1 3	HP 7 1 0 7 9 1		4 7	4
HP 4 8 2 2 6 0		3 1	1 6	HP 7 1 1 2 0 0		4 7	6
HP 4 8 2 2 7 0		3 1	1 4	HU 3 1 5 2 9 0		2 1	1 6
HP 4 8 2 2 8 0		3 1	1 7	KB 2 4 0 0 6 0		1 9	1 6
HP 4 8 2 2 9 0		3 9	1 6	KB 2 4 0 0 7 0		1 9	1 6
HP 4 8 2 5 6 0		3 9	1 7	KB 2 4 0 1 0 0		1 9	1 5
HP 4 8 2 5 7 0		3 9	1 0	KB 2 7 0 0 1 0		4 9	6
HP 4 8 2 5 8 0		3 9	1 5	KC 1 4 0 1 2 1		3	2 3
HP 4 8 2 5 9 0		3 1	1 5	KC 2 7 0 1 0 1		5 3	1 8
HP 4 8 2 8 1 A 4 5		3 1	7	KC 2 7 0 2 7 1		5 3	6
HP 4 8 2 8 2 0 4 5		3 1	4	KC 2 7 0 2 8 3		5 3	2
HP 4 8 2 8 7 1		3 3	1	KC 2 7 0 2 9 2		5 3	7
HP 4 8 2 8 8 1		3 1	1	KC 2 7 0 3 0 1		5 3	5
HP 4 8 2 8 9 2		3 7	5	KC 2 7 0 7 6 1		5 3	1
HP 4 8 2 9 0 G 4 5		2 9	5	KC 2 7 0 9 7 0		4 9	3
HP 4 8 2 9 1 0		3 1	5	KC 2 7 0 9 8 0		4 9	2 4
HP 4 8 2 9 1 0		3 3	7	KC 2 7 1 4 4 0		5 5	2
HP 4 8 2 9 1 0		3 7	2 4	KC 3 2 0 8 2 0		2 1	1 8
HP 4 8 2 9 2 1		3 1	6	KC 3 2 0 8 2 0		2 3	5

I N D E X

LIST No.	PAGE No.	ITEM	LIST No.	PAGE No.	ITEM
K C 3 3 0 1 7 0	2 5	3	K F 5 3 0 1 2 0	4 1	1 9
K C 3 3 0 1 8 0	5 5	3	K F 5 3 0 1 2 0	4 3	1 3
K C 3 3 0 2 8 0	2 5	2	K F 5 3 0 1 2 0	4 5	1 3
K C 3 3 0 3 1 0 3 0 0	2 7	6	K F 5 3 0 1 5 0	4 1	1 8
K C 3 3 0 3 1 0 5 2 0	1 3	2 7	K F 5 3 0 1 5 0	4 3	1 5
K C 3 3 0 4 1 0	1 3	5	K F 5 3 0 1 5 0	4 5	1 5
K C 3 3 0 4 1 0	2 7	9	K F 5 3 0 1 6 0	4 1	2 1
K C 3 3 0 4 1 0	5 5	2 5	K F 5 3 0 1 6 0	4 3	1 1
K C 3 3 0 4 2 0	2 7	1 1	K F 5 3 0 1 6 0	4 5	1 1
K C 5 2 0 0 2 0	4 1	1 3	K F 5 3 0 1 7 0	4 1	2 3
K C 5 2 0 0 2 0	4 3	1 7	K F 5 3 0 1 7 0	4 3	1 9
K C 5 2 0 0 2 0	4 5	1 7	K F 5 3 0 1 7 0	4 5	1 9
K C 5 3 0 2 3 0	4 1	1 7	K F 7 1 0 2 8 0	4 7	3
K C 5 3 0 2 3 0	4 3	1 4	K F 7 1 0 3 9 0	4 7	1 6
K C 5 3 0 2 3 0	4 5	1 4	K F 7 1 0 4 1 0	4 7	1 8
K C 5 3 0 2 4 0	4 1	2 0	K F 7 3 0 7 9 0	2 9	1
K C 5 3 0 2 4 0	4 3	1 2	K G 2 3 0 0 2 0	1 3	9
K C 5 3 0 2 4 0	4 5	1 2	K G 2 5 0 0 1 0	1 9	2 0
K C 7 1 0 2 7 0	4 7	1 7	K G 2 7 0 2 8 2	5 3	2
K C 7 1 0 4 1 0	4 7	1 8	K G 2 7 0 3 1 0	5 3	4
K F 2 2 0 3 0 2	5	6	K G 2 7 0 7 6 0	5 3	1
K F 2 2 0 4 1 0	5	7	K G 7 1 0 1 6 1	4 7	7
K F 2 2 0 4 2 1	5	7	K L 2 2 0 1 4 0	5	1 2
K F 2 2 0 4 4 0	5	6	K L 2 3 0 1 1 1	1 3	1 6
K F 2 2 0 5 1 1	5	1 4	K L 2 3 0 2 8 0	1 3	3 0
K F 2 2 0 7 8 0	5	8	K L 2 7 0 0 0 0	5 3	8
K F 2 3 0 2 3 0	1 3	1 2	K L 2 7 0 0 1 0	5 3	1 0
K F 2 3 0 2 4 0	1 3	1 4	K L 2 7 0 0 2 0	5 3	9
K F 2 3 0 2 5 0	1 3	1 3	K L 2 7 0 0 3 0	5 3	1 1
K F 2 3 0 5 0 0	9	6	K L 2 7 0 0 4 0	5 3	1 3
K F 2 3 0 5 8 0	5 3	3	K L 2 7 0 0 5 0	5 3	1 4
K F 2 3 0 6 3 0	2 7	1 9	K L 2 7 0 0 6 0	5 3	1 5
K F 2 3 0 6 4 0	1 3	4	K L 2 7 0 0 7 0	5 3	1 7
K F 2 3 0 6 4 0	4 9	1 4	K L 2 7 0 0 8 1	5 1	2
K F 2 3 0 6 6 1	1 3	3 1	K L 2 7 0 0 9 1	5 1	1 1
K F 2 3 0 6 7 0	1 3	3 2	K L 2 7 0 1 0 1	5 1	5
K F 2 3 0 9 1 0	1 3	1 7	K L 2 7 0 1 1 0	5 1	8
K F 2 3 0 9 2 0	1 3	1 0	K L 2 7 0 1 2 0	5 1	7
K F 2 3 0 9 3 0	1 3	1 1	K L 2 7 0 1 3 0	5 1	6
K F 2 4 0 9 0 0	4 7	2	K L 2 7 0 1 4 0	5 1	4
K F 2 5 0 9 0 0	5	2	K L 2 7 0 1 4 0	5 3	2 1
K F 3 3 0 3 8 1	1 3	2 8	K L 2 7 0 1 5 0	5 1	3
K F 5 3 0 1 1 1	4 1	1 9	K L 2 7 0 1 5 0	5 3	2 0
K F 5 3 0 1 1 1	4 3	1 3	K L 2 7 0 2 6 0	5 1	9
K F 5 3 0 1 1 1	4 5	1 3	K L 2 7 0 4 0 0	5 1	1 7

From the library of: Diamond Needle Corp

I N D E X

LIST	No.	PAGE No.	ITEM	LIST	No.	PAGE No.	ITEM
KL 2 7 0 4 1 0		5 1	1 3	MT 4 6 0 2 4 0		3 5	9
KL 2 7 0 4 2 0		5 1	1 6	MT 4 6 0 2 4 0		3 7	2 9
KL 2 7 0 4 3 0		5 1	1 5	WW 1 4 0 0 7 0		3	2
KL 2 7 0 4 4 0		5 1	1 8				
KL 2 7 0 4 5 0		5 1	1 2				
KL 2 7 0 5 2 0		5 3	1 6				
KN 2 3 1 3 5 0		1 3	2				
KN 2 7 0 9 5 1		4 9	7				
KN 2 7 0 9 6 0		4 9	2 3				
KN 2 7 1 1 9 0		4 9	2 1				
KN 2 7 1 2 2 0		4 9	1 8				
KN 2 7 1 5 2 1		4 9	1				
KN 2 7 1 5 6 0		4 9	4				
KN 2 7 1 6 2 0		4 9	8				
KN 2 7 1 6 3 0		4 9	1 0				
KN 2 7 1 6 4 4		4 9	1 1				
KN 2 7 1 6 5 1		4 9	1 2				
KN 2 7 1 6 6 2		4 9	1 3				
KN 2 7 1 6 7 1		4 9	1 5				
KN 2 7 1 7 1 2		5 5	8				
KN 2 7 1 7 2 0		5 5	2 4				
KN 2 7 1 7 3 1		5 5	1 5				
KN 2 7 1 7 5 0		5 5	1 1				
KN 2 7 1 7 8 1		5 5	1 0				
KN 2 7 1 8 0 0		5 5	2 9				
KN 2 7 1 9 8 0		4 9	2				
KN 2 7 1 9 9 0		5 5	9				
KN 2 7 2 3 5 0		5 5	1 2				
KN 2 7 2 5 4 0		4 9	1 9				
KN 3 1 0 0 0 0		2 1	6				
KN 3 1 0 0 1 0		2 1	1 4				
KN 3 1 3 6 7 0		2 1	5				
KN 3 1 5 1 1 0		2 1	1 5				
KN 4 5 0 3 0 0		3 5	1 0				
KN 4 5 0 3 0 0		3 7	1 7				
KN 4 8 0 0 6 1		3 3	8				
KN 4 8 0 0 6 1		3 7	2 5				
KN 5 1 1 0 2 0		7	9				
KN 5 4 0 5 0 0		5 7	2				
KN 5 4 0 5 1 0		5 7	4				
KN 5 4 0 5 2 0		5 7	3				
KN 5 4 0 7 6 0		5 7	7				
KU 2 4 1 4 0 0		1 9	1 4				
KU 4 6 0 2 7 0		3 5	8				
KU 4 6 0 2 7 0		3 7	2 7				

